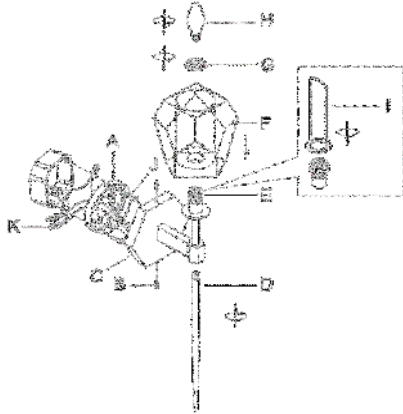


# ASSEMBLY INSTRUCTIONS

## ITEM DESCRIPTION:

ITEM NO.: 49380	NAME: Gemma Sconce
MATERIAL TYPE: Crystal	FINISH: Smoke
SOCKET TYPE: E12	SOCKET QTY: 1
BULB WATTAGE: 60W/16W CFL/13W LED	
VOLTAGE: 110-120V	ITEM NET WEIGHT: 7LBS



## PARTS INCLUDED:

Mounting Plate ( A )	Qty: 1
Set Screws ( B )	Qty: 2
Lamp Body ( C )	Qty: 1
Rod ( D )	Qty: 1
Socket ( E )	Qty: 1
Crystal Shade ( F )	Qty: 1
Socket Ring ( G )	Qty: 1
Bulb (Not included) ( H )	Qty: 1
Bulb Clamp ( I )	Qty: 1

## HARDWARE INCLUDED:

Mounting Screws	Qty: 2
Plastic Wire Connector	Qty: 1

## TOOLS NEEDED (Not Included):

1 Screwdriver

These instructions are provided for safety. It is very important that they are read carefully and completely before beginning installation.

We strongly suggest that all hard-wired fixtures must be installed by a professional electrician.



## TO ASSEMBLE:

1. Remove all packing contents and parts from the carton(s) carefully.
2. Please be sure you have all parts indicated before you begin assembly.
3. Shut off the main electrical supply from the main fuse box/circuit breaker.
4. Gently pull the electrical cord from junction box, then pull the electrical cord from back plate through the exit hole of the mounting plate (A).
5. Attach the ground wire from the fixture to the ground junction box wire from the outlet (usually green or bare wire). Fasten each together with a plastic wire connector (K) and wrap the connection with electrical tape. If your outlet box does not have a ground wire, insert the green ground screw into the mounting plate (A) facing down, and wrap the fixture's bare ground wire around the ground screw. IT IS IMPERATIVE THAT THE OUTLET BOX IN YOUR HOME BE PROPERLY GROUNDED.
6. Connect the neutral fixture wire to the neutral junction box wire (usually white). Fasten each together with a wire connector (K) and wrap the connection with electrical tape. Be sure no wire strands are exposed. DO NOT REVERSE THE HOT AND NEUTRAL CONNECTIONS OR SAFETY WILL BE COMPROMISED.
7. Connect the hot fixture wire to the hot junction box wire (usually black). Fasten each together with a plastic wire connector (K) and wrap the connection with electrical tape. Be sure no wire strands are exposed. DO NOT REVERSE THE HOT AND NEUTRAL CONNECTIONS OR SAFETY WILL BE COMPROMISED.
8. Gently tuck the wire connections neatly into the junction box.
9. Attach the mounting plate (A) to the outlet box by using mounting screws (J). Tighten screws with screwdriver.
10. Attach the lamp body (C) to the mounting plate (A) by using the enclosed set screws (B). Tighten screws with screwdriver.
11. Put the crystal shade (F) onto the socket (E) and then tighten the socket ring (G) by bulb clamp (I) to secure the crystal shade (F).
12. Attach the rod (D) to the lamp body (C) and tighten in a clockwise direction.
13. Insert 1 type B 60W or/CFL 13W or/LED 8W (not included) into the socket (E). DO NOT EXCEED SPECIFIED WATTAGE.
14. Restore power to the junction box and test fixture.

## CARE INSTRUCTIONS:

Wipe with a soft, dry cloth. To protect finish, avoid the use of chemicals and household cleaners.

For customer service questions call 1-800-338-2150

ARTERIOS