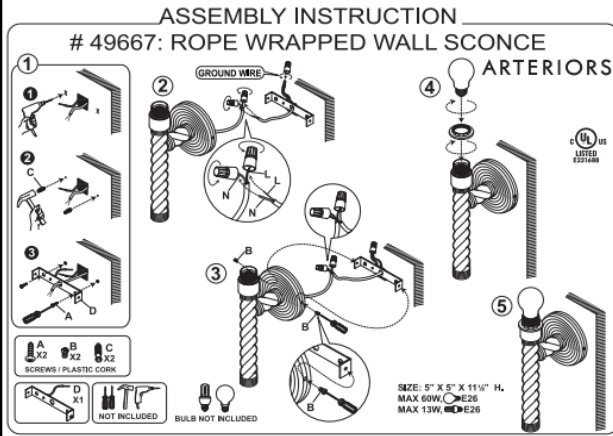


ASSEMBLY INSTRUCTIONS

ITEM DESCRIPTION:

| | |
|-----------------------------------|-----------------------|
| ITEM NO.: 49667-107 | NAME: Douglas Sconce |
| MATERIAL TYPE: Rope | FINISH: Natural |
| SOCKET TYPE: E26 | SOCKET QTY: 1 |
| BULB WATTAGE: 60W/16W CFL/13W LED | |
| VOLTAGE: 110-120 V | ITEM NET WEIGHT: 2LBS |



TO ASSEMBLE:

1. Please follow instructions in diagram.

PARTS INCLUDED:

| | |
|-----------------|--------|
| Mounting Plate | Qty: 1 |
| Back Plate | Qty: 1 |
| Shade | Qty: 1 |
| Socket Assembly | Qty: 1 |
| Metal Ring | Qty: 1 |

HARDWARE INCLUDED:

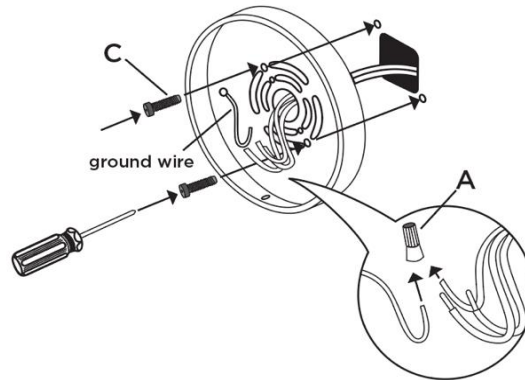
| | |
|----------------|--------|
| Wire Cap (A) | Qty: 3 |
| Canopy Screws | Qty: 2 |
| Mounting Screw | Qty: 2 |

TOOLS NEEDED (Not Included):

- 1 Screwdriver

These instructions are provided for safety. It is very important that they are read carefully and completely before beginning installation.

We strongly suggest that all hard-wired fixtures must be installed by a professional electrician.



CARE INSTRUCTIONS:

Wipe with a soft, dry cloth. To protect finish, avoid the use of chemicals and household cleaners.

For customer service questions call 1-800-338-2150

ARTERIOORS