

# ASSEMBLY INSTRUCTIONS

## ITEM DESCRIPTION:

ITEM NO.: 49786

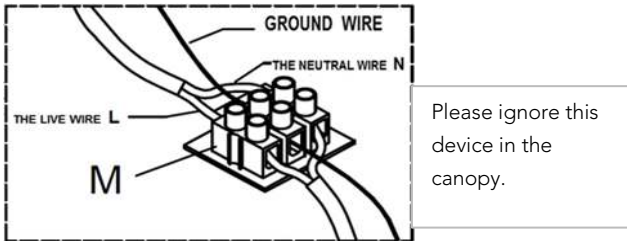
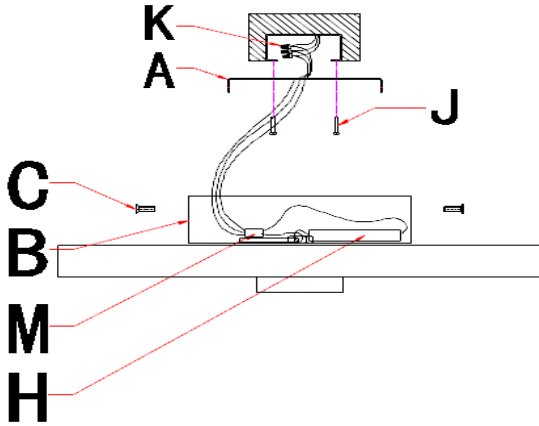
NAME: Moers Flush Mount

MATERIAL TYPE: Alabaster/Steel FINISH: White/English Bronze

SOCKET TYPE: Integrated LED SOCKET QTY: 1

BULB WATTAGE: 10W LED

VOLTAGE: 110-120 V ITEM NET WEIGHT: 11LBS



## TO ASSEMBLE:

1. Remove all packing contents and parts from the carton(s) carefully. Ensure you have all parts indicated before you begin assembly.
2. Shut off the main electrical supply from the main fuse box/circuit breaker.
3. Pull the electrical cord of "j box" through the exit hole of the mounting plate(a)
4. Please pay special attention that you do not need to connect the wire connect device(m). It is used for the wire connection for euro-market.
5. Carefully inspect the fixture wires. The neutral fixture wire has very fine ridges molded into its plastic covering. The hot fixture wire has a smooth covering. The bare silver wire is the grounded wire.
6. Attach the ground wire from the fixture to the ground junction box wire from the outlet (usually green or bare wire). Fasten each together with a plastic wire connector (k) and wrap the connection with electrical tape. If your outlet box does not have a ground wire, insert the green ground screw into the mounting plate (a) facing down, and wrap the fixture's bare ground wire around the ground screw. It is imperative that the outlet box in your home be properly grounded.
7. Connect the neutral fixture wire to the neutral junction box wire (usually white). Fasten each together with a wire connector (k) and wrap the connection with electrical tape. Be sure no strands are exposed.
8. Connect the hot fixture wire to the hot junction box wire (usually black). Fasten each together with a plastic wire connector (k) and wrap the connection with electrical tape. Be sure no wire strands are exposed. Do not reverse the hot and neutral connections or safety will be compromised.
9. Gently tuck the wire connections neatly into the junction box.
10. Attach the mounting plate(a) to the outlet box by using the enclosed mounting screw (j) and tighten it with a screwdriver.
11. Attach the canopy (b) onto the mounting plate (a) with 2pcs set screws (c) and tighten it with a screwdriver.
12. Restore power to the junction box and test fixture. For non-user replaceable light sources: the light source contained in this luminaire shall only be replaced by the manufacturer or his service agent or a similar qualified person.

## PARTS INCLUDED:

A Mounting Plate	Qty: 1
B Canopy	Qty: 1
C Set Screw	Qty: 1
H Driver	Qty: 1

## HARDWARE INCLUDED:

J Plastic Wire Connector	2 Pc	Allen Wrench	1 Pc
K Mounting Screws	2 Pcs	Green Ground Scri	1 Pc

## TO INSTALL YOU WILL NEED:

- 2 people recommended
- Phillips Screwdriver

These instructions are provided for safety. It is very important that they are read carefully and completely before beginning installation.

We strongly suggest that all hard-wired fixtures be installed by a professional electrician.

## CARE INSTRUCTIONS:

Wipe with a soft, dry cloth. To protect finish, avoid the use of chemicals and household cleaners.

For customer service questions call 1-800-338-2150

ARTERIO RS