

# ASSEMBLY INSTRUCTION

## ITEM DESCRIPTION:

ITEM NO: 5099 NAME: JOELIE COCKTAIL TABLE

MATERIAL OF TOP : MDF FINISH: 7771C

MATERIAL OF BASE : RESIN/FIBER GLASS FINISH: 7771C


ITEM NET WEIGHT: 22 Kg

## PARTS INCLUDED:

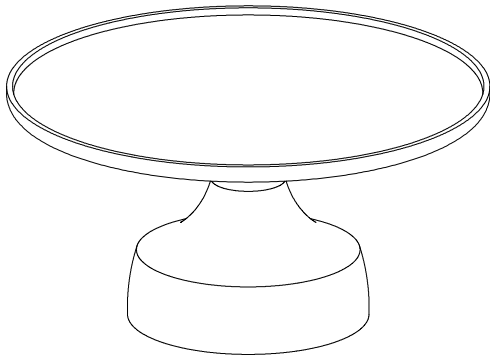
TOP QTY: 1 Pc

BASE QTY: 1 Pc

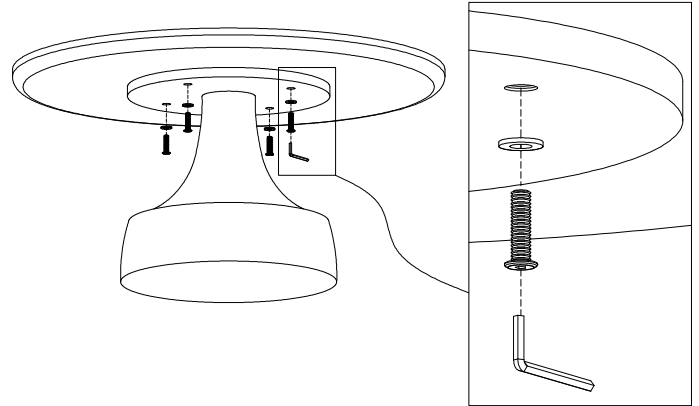
BOLTS ( Ø8 x 35mm )  QTY: 4 Pcs

WASHERS ( Ø23 x Ø10mm )  QTY: 4 Pcs

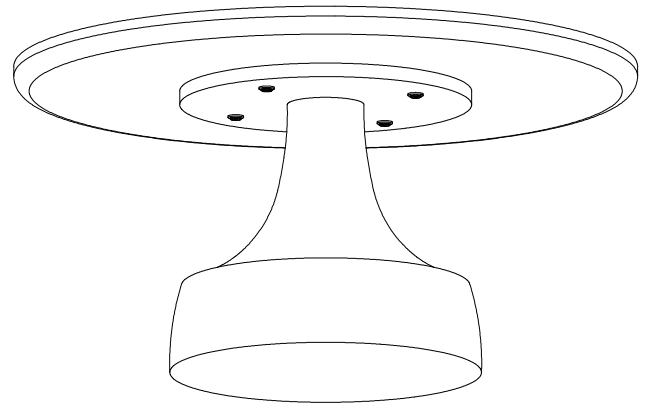
HEX KEY M4  QTY: 1 Pc



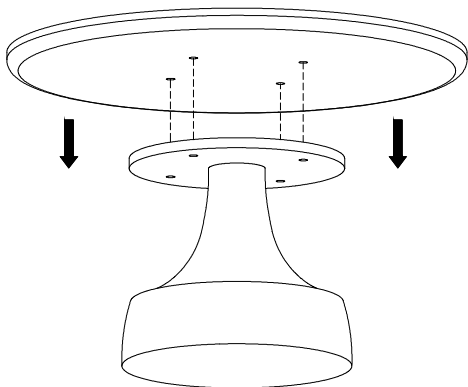
## STEP 2



## STEP 3



## STEP 1



## TO ASSEMBLE:

1. Place the table top on the table base and align.
2. Insert the 4 bolts + washers into holes on the base and screw them tightly with the Hex key.
3. Check that table top and table base are tightly screwed before use.

## CARE INSTRUCTIONS:

Wipe with a soft, dry cloth. To protect finish, avoid the use of chemicals and household cleaners.

For customer service questions call 1-800-338-2150

Arteriors Home: 972.488.9800

Arteriors Contract: 972.488.9800 Ext.321

ARTERIORS