

# ASSEMBLY INSTRUCTION

## ITEM DESCRIPTION:

ITEM NO: 5758 NAME: Springer Dining Table

MATERIAL TYPE: Oak Wood FINISH: Tortoise

ITEM NET WEIGHT: 154.3 LBS

Figure 1

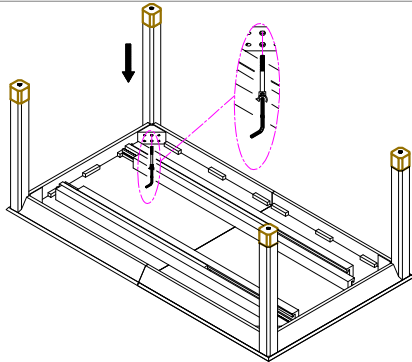


Figure 2

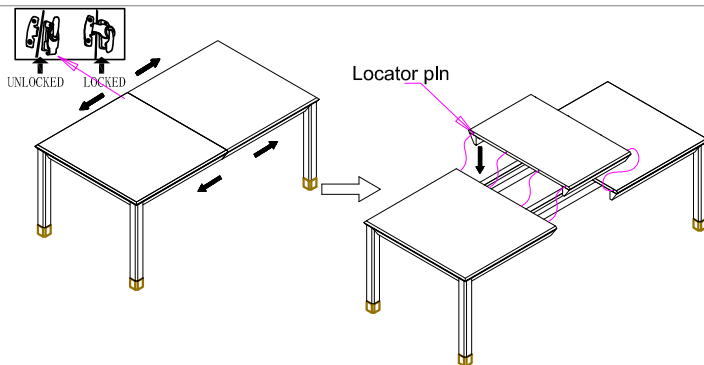
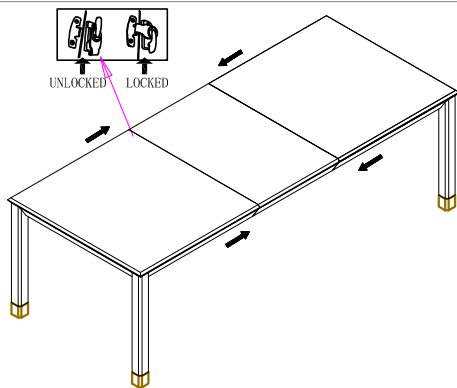


Figure 3



## PARTS INCLUDED:

Parts	Qty
Top	1
Legs	4
Extension leaves	1
Hexagon bolts	8
Washer	8
Allen key	1



- Do not throw away packaging materials until assembly is complete.
- Assemble this item on a soft surface to protect finish.
- For safety, proper assembly requires two people.

## TO ASSEMBLE:

1. Place the top face down on the floor. Lift the table legs then place it onto the top, align as figure 1. Using hand to attach and turn all the bolts together with washers into the thread holes. After tightening all the bolts by hands smoothly, using allen key to tighten all the bolts tightly to connect the base and the tabletop.
2. Turn the table over and check the stability of the table then lift to move it to final position. Two people are required to turn the table.
3. To use the extension leaf panels, unlock the table lock under the top panel. Pull out each end until the table is fully extended. Place each leaf on the under-frame and the leaves sit flush with the table ends. Using the locator pins in the side of the leaf push the leaf up to the inside edges of one end of the table ends so that the pins locate into the holes provided.
4. Push each end of the table together until it's fully closed. Locked and finished.

## CARE INSTRUCTIONS:

Hardware may loosen over time. Periodically check that all connections are tight. Wipe with a soft, dry cloth. To protect finish, avoid the use of chemicals and household cleaners.