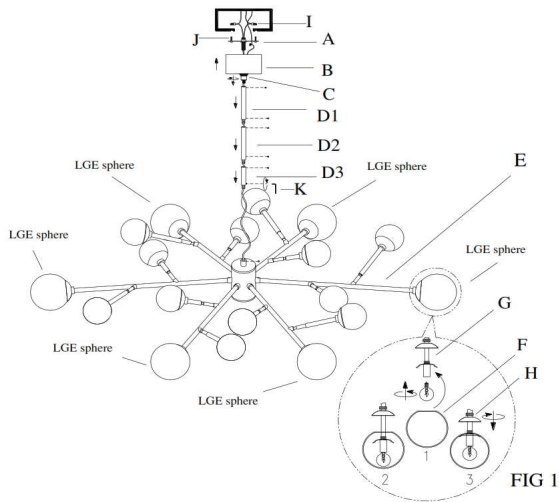


ASSEMBLY INSTRUCTIONS

ITEM DESCRIPTION:

ITEM NO.: 89032	NAME: Dallas Medium Chandelier
MATERIAL TYPE: Steel	FINISH: Polished Nickel
SOCKET TYPE: E12	SOCKET QTY: 18
BULB WATTAGE: 25W/CFL 7W/LED 5W	
VOLTAGE: 110-120 V	ITEM NET WEIGHT: 17.2LBS



TO ASSEMBLE:

1. Remove all packing contents from the carton(s) carefully. Please be sure you have all parts indicated before you begin assembly.
2. Shut off the main electrical supply from the main fuse box/circuit breaker.
3. Screw the rod(d3) to the main body (e) and tighten the hexangular screw in the side hole with Allen wrench(k). Repeat the same operation on the rod (d1) and (d2).
4. As fig 1, unscrew the metal cap(h) off the socket assembly(g), insert type g 25w bulb (not included) in the socket then attach the glass sphere to the socket properly, then screw the metal cap(h) to secure the glass sphere till tight. Repeat the above operation on the remaining 5 big glass sphere and 12 small glass spheres.
5. Remove the mounting plate(a) from the canopy(b) by turning collar loop (c) in a counterclockwise direction.
6. Carefully inspect the pendant's fixture wires. The neutral fixture wire has very fine ridges molded into its plastic covering. The hot fixture wire has a smooth covering. The bare silver wire is the grounded wire.
7. Attach the ground wire from the fixture to the ground junction box wire from the outlet (usually green or bare wire). Fasten together with a plastic wire connector (i) and wrap the connection with electrical tape. If your outlet box does not have a ground wire, insert the green ground screw into the mounting plate (a) facing down, and wrap the fixture's bare ground wire around the ground screw. It is imperative that the outlet box in your home be properly grounded.
8. Connect the neutral fixture wire to the neutral junction box wire (usually white). Fasten each together with a wire connector (i) and wrap the connection with electrical tape. Be sure no strands are exposed.
9. Connect the hot fixture wire to the hot junction box wire (usually black). Fasten each together with a plastic wire connector (g) and wrap the connection with electrical tape. Be sure no wire strands are exposed. Do not reverse the hot and neutral connections or safety will be compromised.
10. Gently tuck the wire connections neatly into the ceiling junction box.
11. Attach the mounting plate (a) with nipple to the ceiling outlet box using the enclosed mounting screws (j) and tighten screws with a screwdriver.
12. Push collar loop in canopy (b) and thread onto nipple in mounting plate (a) by turning in a clockwise
13. Screw rod (d1) to canopy (c), using hexangular screw and Allen wrench(j) be sure all the hexangular screws are tight enough.
14. Restore power to junction box and test fixture.

PARTS INCLUDED:

A MOUNTING PLATE	Qty: 1	E MAIN BODY	Qty: 1
B CANOPY	Qty: 1	F GLASS SPHERE	Qty: 18
C COLLAR LOOP	Qty: 1	G SOCKET ASSEMBLY	Qty: 18
D RODS	Qty: 3	H METAL CAP	Qty: 18

HARDWARE INCLUDED:

I Plastic Wire Connector	2 Pcs	K Allen Wrench	1 Pc
J Mounting Screws	2 Pc		
Green Ground Screw	1 Pc		

TO INSTALL YOU WILL NEED:

- 2 people recommended
- Phillips Screwdriver

These instructions are provided for safety. It is very important that they are read carefully and completely before beginning installation of this chandelier.

We strongly suggest that all hard-wired fixtures must be installed by a professional electrician.

CARE INSTRUCTIONS:

Wipe with a soft, dry cloth. To protect finish, avoid the use of

For customer service questions call 1-800-338-2150

ARTERIO RS