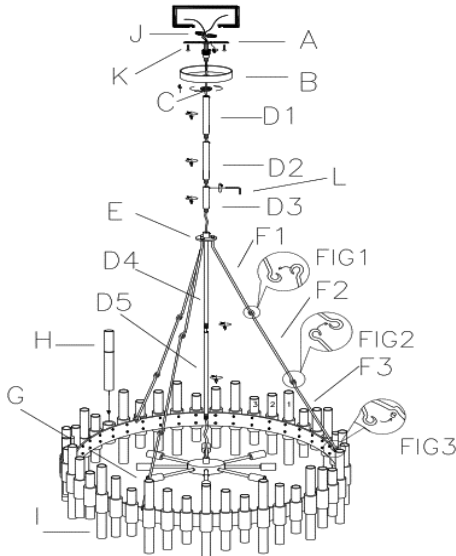


ASSEMBLY INSTRUCTIONS

ITEM DESCRIPTION:

ITEM NO.: 89055	NAME:Haskell Large Chandelier
MATERIAL TYPE: Steel	FINISH: Antique Brass
SOCKET TYPE: E12	SOCKET QTY: 8
BULB WATTAGE: 40 W/CFL 10W/LED9W	
VOLTAGE: 110-120 V	ITEM NET WEIGH' 35LBS



PARTS INCLUDED:

A Mounting Plate	Qty: 1	F Hook Rods	Qty: 9
B Canopy	Qty: 1	G Socket Assembly	Qty: 1
C Loop	Qty: 1	H Acrylic Rods	Qty: 42
D Rods	Qty: 5	I Main Body	Qty: 1
E Loop Plate	Qty: 1		

HARDWARE INCLUDED:

Mounting Screws	2 Pcs	Canopy Screws	2 Pcs
Plastic Wire Connector	2 Pc	Allen Wrench	1 Pc
Green Ground Screw	1 Pc		

TO INSTALL YOU WILL NEED:

- 2 people recommended
- Phillips Screwdriver

These instructions are provided for safety. It is very important that they are read carefully and completely before beginning

We strongly suggest that all hard-wired fixtures must be installed by a professional electrician.



TO ASSEMBLE:

1. Remove all packing contents and parts from the carton(s) carefully. Please be sure you have all parts indicated before you begin assembly.
2. Shut off the main electrical supply from the main fuse box/circuit breaker.
3. Screw the socket assembly (g) to the rod (d5) till tight and connect to the rod (d4). connect one end of the hook rod (f3, longest) on the main body (i) as fig 3, and another end on the end of hook rod (f2, medium) as fig 2 and connect hook rod (f2) to (f1, shortest) as fig 1. Repeat the above operations on the remaining 2 side rods.
4. Remove the mounting plate (a) from the canopy (b) by turning collar loop (c) in a counterclockwise direction.
5. Carefully inspect the fixture wires. The neutral fixture wire has very fine ridges molded into its plastic covering. The hot fixture wire has a smooth covering. The bare silver wire is the grounded wire.
6. Attach the ground wire from the fixture to the ground junction box wire from the outlet (usually green or bare wire). Fasten each together with a plastic wire connector (j) and wrap the connection with electrical tape. If your outlet box does not have a ground wire, insert the green ground screw into the mounting plate (a) facing down, and wrap the fixture's bare ground wire around the ground screw. It is imperative that the outlet box in your home be properly grounded.
7. Connect the neutral fixture wire to the neutral junction box wire (usually white). Fasten each together with a wire connector (j) and wrap the connection with electrical tape. Be sure no strands are exposed.
8. Connect the hot fixture wire to the hot junction box wire (usually black). Fasten each together with a plastic wire connector (j) and wrap the connection with electrical tape. Be sure no wire strands are exposed. Do not reverse the hot and neutral connections or safety will be compromised.
9. Gently tuck the wire connections neatly into the ceiling junction box.
10. Attach the mounting plate (a) with nipple to the ceiling outlet box using the enclosed mounting screws (k) and tighten screws with a screwdriver.
11. Push collar loop in canopy (b) and thread onto nipple in mounting plate (a) by turning in a clockwise
12. Insert the acrylic rod (h) into the metal sleeve accordingly. Repeat the same operation on the remaining 44 pcs acrylic rods. Pls note longest, medium and shortest acrylic rods 14 pcs each available, pls distribute them alternately.
13. Screw rod (d1) to the canopy (b) by using hexangular screw and allen wrench (l) be sure all the hexangular screws are tight enough.
14. Insert eight type b 40w bulbs (or cfl 10w/led 9w bulbs, not included) into the sockets. do not exceed specified wattage.

CARE INSTRUCTIONS:

Wipe with a soft, dry cloth. To protect finish, avoid the use of chemicals and household cleaners.

For customer service questions call 1-800-338-2150

ARTERIO RS