

ASSEMBLY INSTRUCTIONS

ITEM DESCRIPTION:

ITEM NO.: DFC20

NAME: LENNON FLUSH MOUNT

MATERIAL TYPE: IRON, GLASS

FINISH: CHATTERED ANTIQUE BRASS, FROSTED SEEDY

SOCKET TYPE: LED

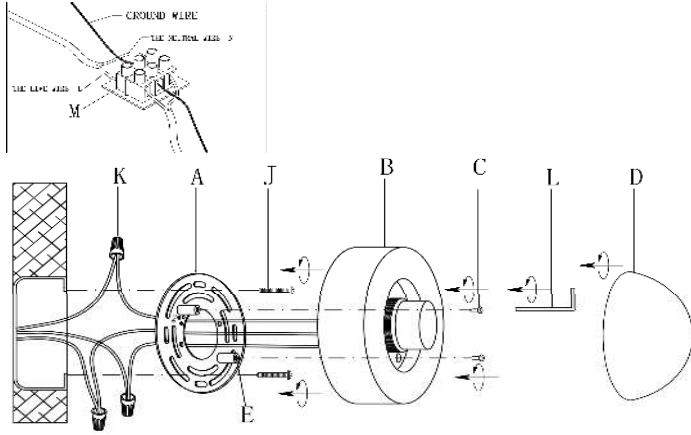
SOCKET QTY: 1

BULB WATTAGE: 7.5W/2700K/90+CRI

VOLTAGE: 100V-130V

ITEM NET WEIGHT: 1.60LBS

PLEASE IGNORE THIS DEVICE IN THE LAMP BASE



PARTS INCLUDED:

Mounting Plate (A)	Qty: 1 Pc	Glass Shade (D)	Qty: 1 Pc
Lamp Base (B)	Qty: 1 Pc	Mounting Plate Nut (E)	Qty: 2 Pcs
Canopy Screw (C)	Qty: 2 Pcs		

HARDWARE INCLUDED:

Mounting Screws (J)	Qty: 2 Pcs
Plastic Wire Cap (K)	Qty: 3 Pcs
Allen Wrench (L)	Qty: 1 Pc

TOOLS NEEDED (Not Included):

1 Screwdriver

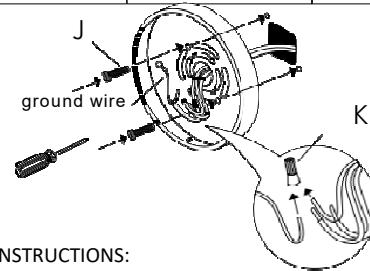
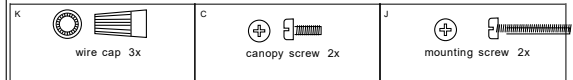
These instructions are provided for safety. It is very important that they are read carefully and completely before beginning installation.

We strongly suggest that all hard-wired fixtures must be installed by a professional electrician.



TO ASSEMBLE:

1. Shut off the main electrical supply from the main fuse box/circuit breaker.
2. Attach mounting plate(A) to ceiling or junction box using mounting screws (J).
3. Connect ground wire from ceiling to ground wire from lamp using the wire caps (K).
4. Attach house wire to lamp wires as shown. Fasten the pairs together with a wire caps(K). DO NOT REVERSE THE HOT AND NEUTRAL CONNECTIONS OR SAFETY WILL BE COMPROMISED.
5. PLEASE PAY SPECIAL ATTENTION THAT YOU DO NOT NEED TO CONNECT THE TERMINAL BLOCK (M) IN THE LAMP BASE. IT IS USED FOR THE WIRE CONNECTION FOR EURO-MARKET.
6. Attach lamp base(B) to mounting plate (A) by inserting canopy screws (C) through predrilled holes. Then use allen wrench (L) to tighten with mounting plate nut (E) by turning in a clockwise direction.
7. Put and assemble the glass shade (D) with the lamp Base (B) carefully by rotating in a clockwise direction.
8. Restore power to junction box and test fixture.



CARE INSTRUCTIONS:

Wipe with a soft, dry cloth. To protect finish, avoid the use of chemicals and household cleaners.

For customer service questions call 1-800-338-2150

ARTERIO RS