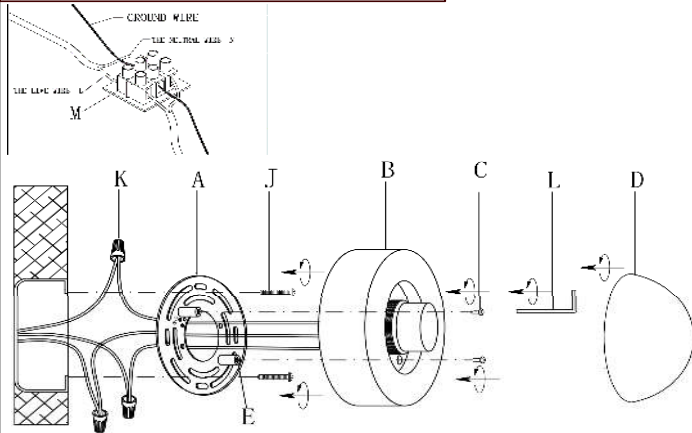


ASSEMBLY INSTRUCTIONS

ITEM DESCRIPTION:

| | |
|---------------------------------|---|
| ITEM NO.: DFC25 | NAME: LENNON FLUSH MOUNT |
| MATERIAL TYPE: IRON, GLASS | FINISH: CHATTERED VINTAGE SILVER, FROSTED SEEDY |
| SOCKET TYPE: LED | SOCKET QTY: 1 |
| BULB WATTAGE: 7.5W/2700K/90+CRI | |
| VOLTAGE: 100V-130V | ITEM NET WEIGHT: 1.60LBS |

PLEASE IGNORE THIS DEVICE IN



PARTS INCLUDED:

| | | | |
|--------------------|------------|------------------------|------------|
| Mounting Plate (A) | Qty: 1 Pc | Glass Shade (D) | Qty: 1 Pc |
| Lamp Base (B) | Qty: 1 Pc | Mounting Plate Nut (E) | Qty: 2 Pcs |
| Canopy Screw (C) | Qty: 2 Pcs | | |

HARDWARE INCLUDED:

| | |
|----------------------|------------|
| Mounting Screws (J) | Qty: 2 Pcs |
| Plastic Wire Cap (K) | Qty: 3 Pcs |
| Allen Wrench (L) | Qty: 1 Pc |

TOOLS NEEDED (Not Included):

1 Screwdriver

These instructions are provided for safety. It is very important that they are read carefully and completely before beginning installation.

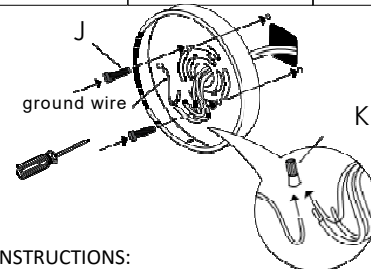
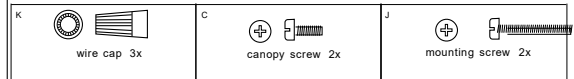
We strongly suggest that all hard-wired fixtures must be installed by a professional electrician.

For customer service questions call 1-800-338-2150



TO ASSEMBLE:

- Shut off the main electrical supply from the main fuse box/circuit breaker.
- Attach mounting plate (A) to ceiling or junction box using mounting screws (J).
- Connect ground wire from ceiling to ground wire from lamp using the wire caps (K).
- Attach house wire to lamp wires as shown. Fasten the pairs together with a wire caps (K). DO NOT REVERSE THE HOT AND NEUTRAL CONNECTIONS OR SAFETY WILL BE COMPROMISED.
- PLEASE PAY SPECIAL ATTENTION THAT YOU DO NOT NEED TO CONNECT THE TERMINAL BLOCK (M) IN THE LAMP BASE. IT IS USED FOR THE WIRE CONNECTION FOR EURO-MARKET.
- Attach lamp base (B) to mounting plate (A) by inserting canopy screws (C) through predrilled holes. Then use allen wrench (L) to tighten with mounting plate nut (E) by turning in a clockwise direction.
- Put and assemble the glass shade (D) with the lamp Base (B) carefully by rotating in a clockwise direction.
- Restore power to junction box and test fixture.



CARE INSTRUCTIONS:

Wipe with a soft, dry cloth. To protect finish, avoid the use of

ARTERIO RS