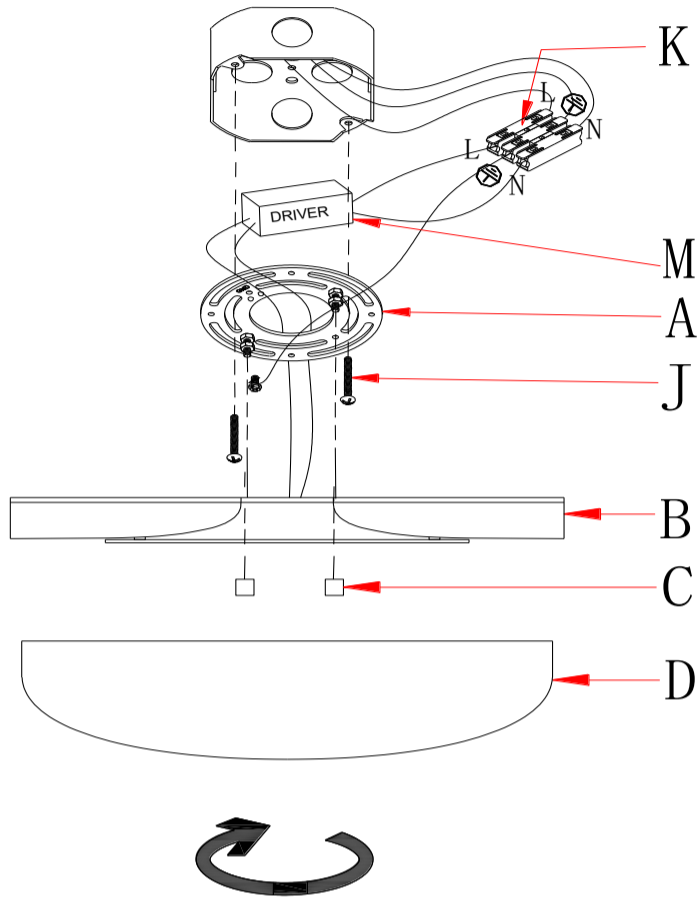


ASSEMBLY INSTRUCTIONS

ITEM DESCRIPTION:

ITEM NO. :DFC33	NAME: ELARA FLUSH MOUNT
MATERIAL TYPE: IRON, ALABASTER	FINISH: CHATTERED ANTIQUE BRSS, WHITE
SOCKET TYPE: : LED	SOCKET QTY: 1
BULB WATTAGE: 11W	
VOLTAGE: 100V-120V	ITEM NET WEIGHT: 12.5 LBS



PARTS INCLUDED:

Mounting Plate (A)	Qty: 1PC
Canopy (B)	Qty: 1PC
Thumb screws (C)	Qty: 2PCS
Alabaster shade (D)	Qty: 1PC
Driver (M)	Qty: 1PC
Fast Connector (K)	Qty: 1PC

HARDWARE INCLUDED:

Mounting Screw (J)	Qty: 2PCS
Green Ground Screw	Qty: 1PC

TOOLS NEEDED (Not Included):

1 Screwdriver

These instructions are provided for safety. It is very important that they are read carefully and completely before beginning installation.

We strongly suggest that all hard-wired fixtures must be installed by a professional electrician.



TO ASSEMBLE:

1. Shut off the main electrical supply from the main fuse box/circuit breaker.
2. Carefully unpack all fixture parts and hardware and lay them on a soft surface for assembly.
3. Remove the mounting plate (A) from the canopy (B) by loosening the thumb screws (C).
4. Gently pull wiring down from junction box and allow to hang.
5. Carefully inspect the flush mount's fixture wires.
 Neutral fixture wire: White
 Hot fixture wire: Black
 Ground wire: Bare wire
 Ground wire: usually green or yellow FOR EURO-MARKET
6. Connect the power wires of the lamp together using the fast connector (K). Connect the black wire to the "L" electrode and the white wire to the "N" electrode and ground wire of lamp to the power ground wire using the fast connector (K) . the fast connector (K) for euro-market and American-market .
7. Gently tuck the fast connector (K) and the driver (M) neatly into the junction box.
8. Place the mounting plate (A) over the center of the junction box.
9. Align the holes in the mounting plate (A) with the holes in the junction box and secure it with two mounting screws (J). Secure the screws using a Phillips head screwdriver.
10. Attach the canopy (B) to the mounting plate (A) using the thumb screws (C), and tighten them.
11. Attach the Alabaster shade (D) to the canopy (B) by turning clockwise until tight.
12. Restore power to junction box and test fixture.

Precaution: This product is suitable for TRIAC dimmer switch, switch model recommended:

LUTRON #DVLC-153P
 LUTRON #DVELV-300P

CARE INSTRUCTIONS:

Wipe with a soft, dry cloth. To protect finish, avoid the use of chemicals and household cleaners.

For customer service questions call 1-800-338-2150

ARTERIO RS

WARNING:

INSTALL BEFORE RESTORING POWER AT THE BREAKER

LOW VOLTAGE LED DRIVER INSIDE.

**DO NOT APPLY POWER AT THE BREAKER
OR SWITCH UNTIL FIXTURE IS FULLY INSTALLED.
FAILURE TO FOLLOW INSTRUCTIONS MAY RESULT
IN MALFUNCTION AND WILL VOID WARRANTY.**