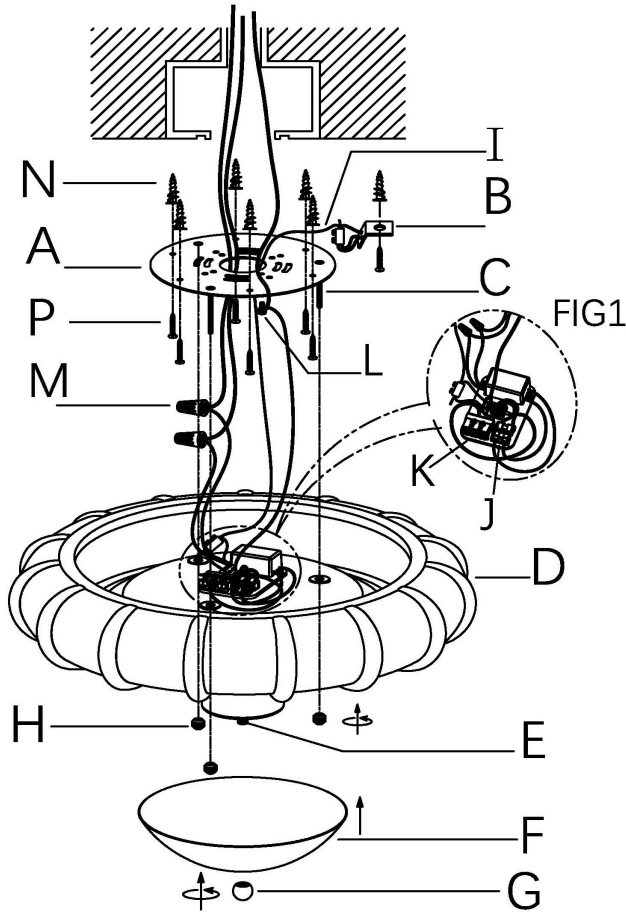


# ASSEMBLY INSTRUCTIONS

## ITEM DESCRIPTION:

|                               |                               |
|-------------------------------|-------------------------------|
| ITEM NO.: DFC36               | NAME: Camella LED Flush Mount |
| MATERIAL TYPE: RICESTONE.IRON | FINISH:IVORY. English Bronze  |
| SOCKET TYPE: LED COB          | SOCKET QTY:                   |
| BULB WATTAGE: 10W DIMMABLE    |                               |
| VOLTAGE: 110V-120V            | ITEM NET WEIGHT: LBS          |



## PARTS INCLUDED:

|                       |          |                    |          |
|-----------------------|----------|--------------------|----------|
| Mounting Plate(A)     | Qty:1PC  | Finial(G)          | Qty:1PC  |
| Pre-mounted screw (C) | Qty:3PCS | Steel Cable (I)    | Qty: 1PC |
| Canopy (D)            | Qty:1PC  | 2-Wire Terminal(J) | Qty:1PC  |
| Nipple(E)             | Qty:1PC  | 3-Wire Terminal(K) | Qty:1PC  |
| Metal Shade(F)        | Qty:1PC  |                    |          |

## HARDWARE INCLUDED:

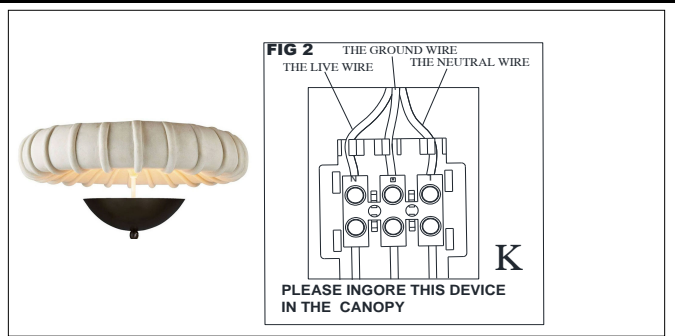
|                       |   |                           |   |
|-----------------------|---|---------------------------|---|
| Clip (B)              | 1 | Plastic Wire Connector(M) | 3 |
| Mounting Bead(H)      | 3 | Anchor(N)                 | 7 |
| Green Ground Screw(L) | 1 | Strengthened Screw(P)     | 7 |

## TO INSTALL YOU WILL NEED:

- 2 people recommended
- Phillips Screwdriver
- 

These instructions are provided for safety. It is very important that they are read carefully and completely before beginning installation.

We strongly suggest that all hard-wired fixtures must be installed by a professional electrician.



## TO ASSEMBLE:

1. Shut off the main electrical supply from the main fuse box/ circuit breaker.
2. Carefully unpack all fixture parts and hardware and lay them on a soft surface for assembly.
3. Gently pull wiring down from ceiling junction box and allow to hang.
4. Attach the Metal Shade(F) to the Canopy(D), pass through Nipple(E) to the shade and secure with Finial(G) till tight.
5. Carefully inspect the Driver input wires. The Neutral wire is White color (labeled "N") and the Live wire is Black (labeled "L").
6. Connect the Neutral wire to the Neutral junction box wire (usually white), Fasten together with a plastic wire connector (M) and wrap electrical tape.
7. Connect the Live wire to the Live junction box wire (usually black), Fasten together with a plastic wire connector (M) and wrap electrical tape.
8. Attach the ground wire from the fixture to the ground junction box wire from the outlet (usually green or bare wire). Fasten together with a plastic wire connector (M) and wrap electrical tape. IT IS IMPERATIVE THAT THE OUTLET BOX IN YOUR HOME BE PROPERLY GROUNDED.
9. Carefully inspect the Driver output wires. The Neutral wire is black color (labeled "-") and the Live wire is Red (labeled "+").
10. Please use 2-wire Terminal (J) to connect the Neutral driver output wire (both black) in the "N" phase. Repeat the same operation on the Live wires (both red) in the "L" phase, as Fig1 shown. DO NOT REVERSE THE HOT AND NEUTRAL CONNECTIONS OR SAFETY WILL BE COMPROMISED. DO NOT MIX THE DRIVER INPUT AND OUTPUT WIRES.
11. Fix the Clip (B) in the position independently of ceiling Junction box by using 1pc Anchor (N) and Strengthened screw (P). Then connect the Steel Cable (I) to the Clip till tight.
12. Please ignore the 3-Wire Terminal (K) in the canopy as Fig2. Gently tuck the wire connections neatly into the junction box.
13. Gently tuck the wire connections neatly into the junction box.
14. Drill Another 6pcs Anchors (N) into the ceiling to fix the mounting plate, then screw 6pcs Strengthened Screws (P) into the anchor till tight.
15. Push Canopy (B) up over the mounting plate until it is flush with the ceiling. Be sure 3pcs Pre-mounted Screws (C) facing down and pass through the holes on the canopy.
16. Use 3pcs Mounting Beads (H) to screw on the pre-mounted screws till tight. Be sure hold the Canopy horizontally and safe enough.
17. Restore power to junction box and test fixture.

## ATTENTION:

Fully disconnect power at the main breaker prior to installation. Failure to do so WILL cause permanent damage to this product.

## CARE INSTRUCTIONS:

Wipe with a soft, dry cloth. To protect finish, avoid the use of chemicals and household cleaners.

For customer service questions call 1-800-338-2150

ARTERIO RS