

# ASSEMBLY INSTRUCTIONS

## ITEM DESCRIPTION:

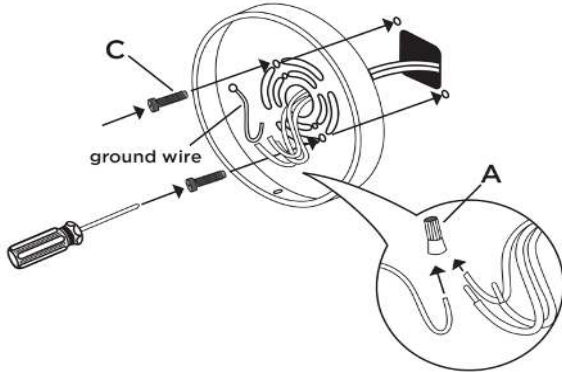
ITEM NO.: DFI04 NAME: Amani Flush Mount

MATERIAL TYPE: Brass FINISH: Antique Brass

SOCKET TYPE: E26 SOCKET QTY: 1

BULB WATTAGE: 60W/16W CFL/13W LED

VOLTAGE: 110-120 V ITEM NET WEIGHT: 9LBS



## PARTS INCLUDED:

MOUNTING PLATE	QTY: 1
CANOPY	QTY: 1
LAMP BODY	QTY: 1

## HARDWARE INCLUDED:

Mounting Screws	2 Pcs	Allen Wrench	1 pc
Plastic Wire Connector	2 Pcs		
Green Ground Screw	1 Pc		

## TO INSTALL YOU WILL NEED:

- 2 people recommended
- Phillips Screwdriver

These instructions are provided for safety. It is very important that they are read carefully and completely before beginning installation.

We strongly suggest that all hard-wired fixtures must be installed by a professional electrician.

## TO ASSEMBLE:

1. Shut off the main electrical supply from the main fuse box/circuit breaker.
2. Attach mounting plate to wall or junction box using **mounting screws (C)**.
3. Connect ground wire from wall to ground wire from lamp using **wire caps (A)**.
4. Attach house wire to lamp wires as shown. Fasten the pairs together with a **wire cap**. **DO NOT REVERSE THE HOT AND NEUTRAL CONNECTIONS OR SAFETY WILL BE COMPROMISED.**
5. Attach front face of light to back plate by inserting **canopy screws (B)** through predrilled holes in front face and into back plate as shown. Tighten using screwdriver.
6. Insert light bulb.
7. Restore power to junction box and test fixture. **DO NOT EXCEED SPECIFIED MAX WATTAGE.**

## CARE INSTRUCTIONS:

Wipe with a soft, dry cloth. To protect finish, avoid the use of chemicals and household cleaners.

For customer service questions call 1-800-338-2150

ARTERIO RS