

ASSEMBLY INSTRUCTIONS

ITEM DESCRIPTION:

ITEM NO.: DLC02

NAME: Utica Chandelier

MATERIAL TYPE: Steel/Glass FINISH: English Bronze/Frosted

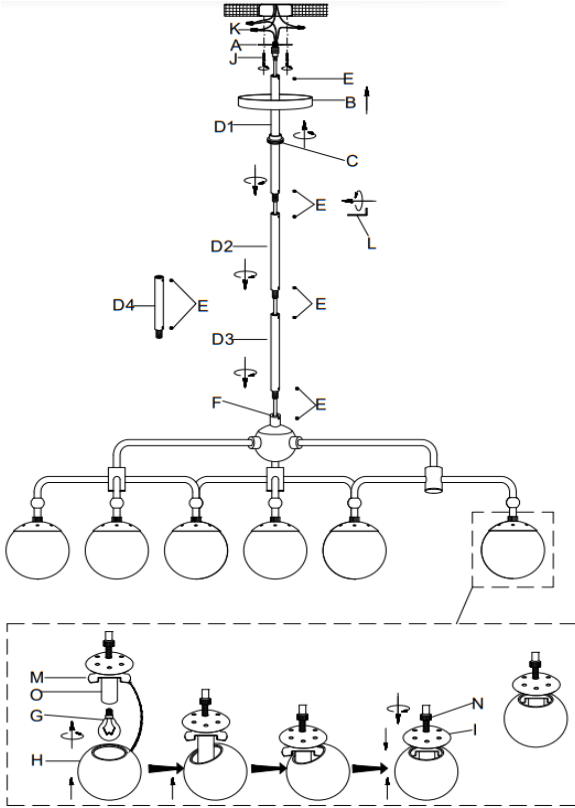
SOCKET TYPE: E12

SOCKET QTY: 9

BULB WATTAGE: 40W or/CFL 9W or/LED 4W

VOLTAGE: 110-120 V

ITEM NET WEIGHT: 17LBS



PARTS INCLUDED:

A MOUNTING PLATE	1 PC	G BULB(not included)	9 PCS
B CANOPY	1 PC	H GLASS SHADE	9 PCS
C COLLAR LOOP	1 PC	I METAL CAP	9 PCS
D1,D2,D3,D4 ROD	4 PCS	N METAL RING	9 PCS
E HEX SCREW	9 PCS	M BRACKET	9 PCS
F LAMP BODY	1 PC	O SOCKET	9 PCS

HARDWARE INCLUDED:

J Mounting Screws	L Allen Wrench
K Plastic Wire Connector	Green Ground Screw

TO INSTALL YOU WILL NEED:

- 2 people recommended
- Phillips Screwdriver

These instructions are provided for safety. It is very important that they are read carefully and completely before beginning installation of this chandelier.

We strongly suggest that all hard-wired fixtures must be installed by a professional electrician.

TO ASSEMBLE:

1. Remove all packing contents and parts from the carton(s) carefully. Ensure you have all parts indicated before you begin assembly.
2. Shut off the main electrical supply from the main fuse box/circuit breaker.
3. Connect lamp body(f) and canopy(b) with rod (d1, d2, d3, d4), when you connect the rods, loosen the small hex screws(e) first then tighten with Allen wrench(l) after all rods are connected. Be sure all the hex screws(e) are tight enough.
4. Pull the electrical cord of "j box " through the exit hole of the mounting plate(a).
5. Carefully inspect the fixture wires. The neutral fixture wire has very fine ridges molded into its plastic covering. The hot fixture wire has a smooth covering. the bare wire is the grounded wire.
6. Attach the ground wire from the fixture to the ground junction box wire from the outlet (usually green or bare wire). Fasten each together with a plastic wire connector (k) and wrap the connection with electrical tape. If your outlet box does not have a ground wire, insert the green ground screw into the mounting plate (a) facing down, and wrap the fixture's bare ground wire around the ground screw. It is imperative that the outlet box in your home be properly grounded.
7. Connect the neutral fixture wire to the neutral junction box wire (usually white). Fasten each together with a wire connector (k) and wrap the connection with electrical tape. Be sure no strands are exposed.
8. Connect the hot fixture wire to the hot junction box wire (usually black). Fasten each together with a plastic wire connector (k) and wrap the connection with electrical tape. Be sure no wire strands are exposed. Do not reverse the hot and neutral connections or safety will be compromised.
9. Gently tuck the wire connections neatly into the junction box.
10. Attach the mounting plate (a) to the outlet box by using the mounting screws(j) and tighten screws with a screwdriver.
11. Push collar loop(c) in canopy (b) and tighten onto nipple in mounting plate (a) by turning in a clockwise direction.
12. Insert 9 type g 40w or/cfl 9w or/led 4w bulb (not included) into the socket(o) .do not exceed specified wattage.
13. Lift the metal cap(l) and knurled metal ring(n) and put the bracket(m) inside the glass shade(h) at an angle. Put down the metal cap(l) to cover the top of the glass shade(h), then tighten the knurled metal ring (n) in a clockwise direction to secure the glass shade.
14. Restore power to the junction box and test fixture.

CARE INSTRUCTIONS:

Wipe with a soft, dry cloth. To protect finish, avoid the use of chemicals and household cleaners.

For customer service questions call 1-800-338-2150

ARTERIOS