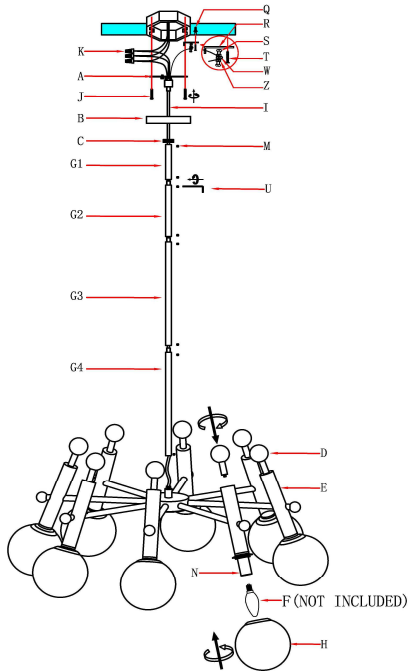


ASSEMBLY INSTRUCTIONS

ITEM DESCRIPTION:

| | |
|---|-----------------------------|
| ITEM NO.: DMC04 | NAME: Valeria Chandelier |
| MATERIAL TYPE: Steel/Glass | FINISH: Antique Brass/Swirl |
| SOCKET TYPE: E12 | SOCKET QTY: 8 |
| BULB WATTAGE: 60W or/CFL 12W or/LED 10W | |
| VOLTAGE: 110-120 V | ITEM NET WEIGHT: 24LBS |



PARTS INCLUDED:

| | | | |
|----------------------|-------|-----------------|-------|
| A MOUNTING PLATE | 1PC | I POWER WIRE | 1 PC |
| B CANOPY | 1PC | M HEX SCREW | 8 PCS |
| C COLLAR LOOP | 1 PC | N SOCKET | 8 PCS |
| D ALABASTER BALL | 8 PCS | R BRACKET | 1 PC |
| E LAMP BODY | 1PC | S SCREW | 2 PCS |
| F BULB(NOT INCLUDED) | 8 PCS | W AIRCRAFT WIRE | 1 PC |
| G1/G2/G3/G4 ROD | 4 PCS | Z COUPLING | 1 PC |
| H GLASS SHADE | 8 PCS | | |

HARDWARE INCLUDED:

| | |
|--------------------------|----------------|
| K Plastic Wire Connector | U Allen Wrench |
| J Mounting Screws | Wrench |
| Green Ground Screw | Q Anchor |
| T Strengthened Screw | |

TO INSTALL YOU WILL NEED:

- 2 people recommended
- Phillips Screwdriver

These instructions are provided for safety. It is very important that they are read carefully and completely before beginning installation of this chandelier.

We strongly suggest that all hard-wired fixtures must be installed by a professional electrician.



TO ASSEMBLE:

1. Remove all packing contents and parts from the carton(s) carefully. Ensure you have all parts indicated before you begin assembly.
2. Shut off the main electrical supply from the main fuse box/circuit breaker.
3. Pass the power wire(I) through the rods then screw the rod(g4) to lamp body(e) till tight, repeat operation on the rod(g3),(g2) and rod(g1).when you connect the rods, loosen the small hex screws(m) in the side hole first then tighten with Allen wrench(u) after all rods are connected. Be sure all the hexangular screws are tight enough.
4. Put the collar loop(c) and canopy(b) into the rod (g1) in turn, then pass the power wire(I) through the mounting plate(a). Screw the rod(g1) to the nipple of mounting plate(a) till tight.
5. Pull the electrical cord of "j-box" through the exit hole of the mounting plate(a)
6. Drill one hole on the ceiling and insert anchor(q) into drilled hole, then fix bracket(r) to the ceiling with strengthened screw (t) by screwing into anchor(q). Remove the coupling(z) from the aircraft wire(w) by loosening (2) screws(s). Pass the aircraft wire(w) through (2) holes on the bracket(r). Then pass the aircraft wire(w) through (2) holes on the coupling(z) and fix with (2) screws(s) (more details on next page). Be sure to tighten two screws attached on the coupling(z).
7. Inspect the fixture wires. The neutral wire has very fine ridges molded into its plastic covering. The hot wire has a smooth covering. The bare wire is the grounded wire.
8. Attach the ground wire from the fixture to the ground junction box wire from the outlet (usually green or bare wire). Fasten each together with a plastic wire connector (k) and wrap the connection with electrical tape. If your outlet box does not have a ground wire, insert the green ground screw into the mounting plate (a) facing down, and wrap the fixture's bare ground wire around the ground screw. It is imperative that the outlet box in your home be properly grounded.
9. Connect the neutral fixture wire to the neutral j-box wire. Fasten together with a wire connector (k) and wrap the connection with electrical tape. Be sure no strands are exposed.
10. Connect the hot fixture wire to the hot junction box wire (usually black). Fasten each together with a plastic wire connector (k) and wrap the connection with electrical tape. Be sure no wire strands are exposed. Do not reverse the hot and neutral connections or safety will be compromised.
11. Gently tuck the wire connections(k) neatly into the junction box.
12. Attach the mounting plate (a) with nipple to the ceiling outlet box using the enclosed mounting screws (j).
13. Push collar loop (c) in canopy (b) and thread onto the nipple in mounting plate (a) by turning in a clockwise direction.
14. Attach the alabaster ball (d) to the lamp body(e) and fix in a clockwise direction. Repeat the same operation on the other alabaster balls(d).
15. Insert 8 type b 60w bulbs (or /cfl 12w or /led 10w, not included) into the socket (n). Do not exceed the specified wattage.
16. Attach the glass shade (h) to the lamp body(e) and fix in a clockwise direction. Repeat the same operation on the other glass shades (h).
17. Restore power to the junction box and test fixture.

CARE INSTRUCTIONS:

Wipe with a soft, dry cloth. To protect finish, avoid the use of chemicals and household cleaners.

For customer service questions call 1-800-338-2150

ARTERIOS