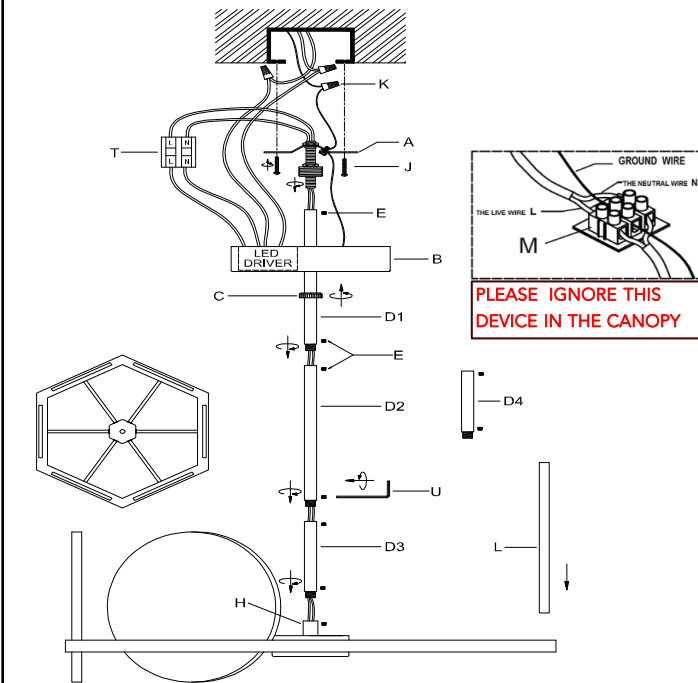


ASSEMBLY INSTRUCTIONS

ITEM DESCRIPTION:

ITEM NO.: DMC07	NAME: Savion Chandelier
MATERIAL TYPE: Steel/Onyx	FINISH: Antique Brass/White
SOCKET TYPE: Integrated LED SOCKET QTY: 6	
BULB WATTAGE: 36W LED/2700K	
VOLTAGE: 110-120 V	ITEM NET WEIGHT: 32LBS



PARTS INCLUDED:

A MOUNTING PLATE	1 PC	E SET SCREW	9PCS
B CANOPY	1 PC	I LAMP BODY	1 PC
C COLLAR LOOP	1 PC	L WHITE ONYX	6 PCS
D1,2,3,4 RODS	4PCS	T 2-WIRE TERMINAL	1 PC

HARDWARE INCLUDED:

K Plastic Wire Connector	U Allen Wrench
J Mounting Screws	S Wrench
Green Ground Screw	C Anchor
E Strengthened Screw	

TO INSTALL YOU WILL NEED:

- 2 people recommended
- Phillips Screwdriver

These instructions are provided for safety. It is very important that they are read carefully and completely before beginning installation of this chandelier.

We strongly suggest that all hard-wired fixtures must be installed by a professional electrician.

TO ASSEMBLE:

1. Remove all packing contents and parts from the carton(s) carefully. Ensure you have all parts indicated before you begin assembly.
2. Shut off the main electrical supply from the main fuse box/circuit breaker.
3. Pass the wires through cords (d1, d2, d3) then connect lamp body(f) and canopy(b) with rod (d1, d2, d3), when you connect the rods, loosen the small set screws(e) first then tighten with Allen wrench(u) after all rods are connected. Be sure all the set screws are tight enough. Note: if you want the fixture to be semi-flush mount, you must disconnect the lamp body wires from the 2-wire terminal(t) and connect lamp body(h) and canopy (b) with rod (d4). Then connect the lamp body wire and device wires by 2-wire terminal(t).
4. Remove the mounting plate(a) from the canopy(b) by turning collar loop (c) in a counterclockwise direction.
5. Pull the electrical cord of "j-box" through the exit hole of the mounting plate.
6. Please pay special attention that you do not need to connect the terminal block(f). It is used for the wire connection for euro-market.
7. Carefully inspect the fixture wires. The neutral fixture wire has very fine ridges molded into its plastic covering. The hot fixture wire has a smooth covering. The bare silver wire is the grounded wire.
8. Attach the ground wire from the fixture to the ground junction box wire from the outlet (usually green or bare wire). Fasten each together with a plastic wire connector (k) and wrap the connection with electrical tape. If your outlet box does not have a ground wire, insert the green ground screw into the mounting plate (a) facing down, and wrap the fixture's bare ground wire around the ground screw. It is imperative that the outlet box in your home be properly grounded.
9. Connect the neutral fixture wire to the neutral junction box wire (usually white). Fasten each together with a wire connector (k) and wrap the connection with electrical tape. Be sure no strands are exposed.
10. Connect the hot fixture wire to the hot junction box wire (usually black). Fasten each together with a plastic wire connector (k) and wrap the connection with electrical tape. Be sure no wire strands are exposed. Do not reverse the hot and neutral connections or safety will be compromised.
11. Gently tuck the wire connections(k) neatly into the ceiling junction box.
12. Attach the mounting plate (a) with nipple to the ceiling outlet box using the enclosed mounting screws(j) and tighten screws(j) with a screwdriver.
13. Push collar loop(c) in canopy (b) and tighten onto nipple in mounting plate (a) by turning in a clockwise.
14. Put the 6pcs white onyx (l) to the lamp body(i).
15. Restore power to the junction box and test fixture.

CARE INSTRUCTIONS:

Wipe with a soft, dry cloth. To protect finish, avoid the use of chemicals and household cleaners.

For customer service questions call 1-800-338-2150

ARTERIOS