

ASSEMBLY INSTRUCTIONS

ITEM DESCRIPTION:

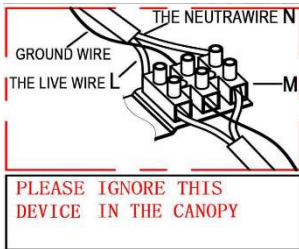
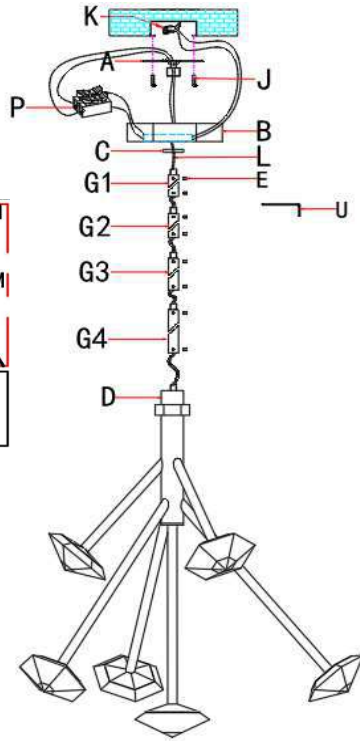
ITEM NO.: DMC17 NAME: Alessia Chandelier

MATERIAL TYPE: Steel FINISH: Antique Brass

SOCKET TYPE: Integrated LED SOCKET QTY: 7

BULB WATTAGE: 30W LED

VOLTAGE: 110-120 V ITEM NET WEIGHT: 15LBS



PARTS INCLUDED:

Mounting Plate(A)	1PC	Rod(G1,2,3,4)	4PCS
Canopy(B)	1PC	Mounting Screw(J)	2PCS
Collar (C)	1PC	Plastic Wire Connector(K)	3PCS
Lamp Body(D)	1PC	The 2-Wire Terminal(P)	1PC
Hex Screw (E)	12PCS		

HARDWARE INCLUDED:

Mounting Screws	2	Hexangular Screw	8
Plastic Wire Connector	3	Allen Wrench	1
Green Ground Screw	1		

TO INSTALL YOU WILL NEED:

- 2 people recommended
- Phillips Screwdriver

These instructions are provided for safety. It is very important that they are read carefully and completely before beginning installation.

We strongly suggest that all hard-wired fixtures must be installed by a professional electrician.

TO ASSEMBLE:

1. Shut off the main electrical supply from the main fuse box/ circuit breaker.
2. Carefully unpack all fixture parts and hardware and lay them on a soft surface for assembly.
3. Gently pull wiring down from ceiling junction box and allow to hang.
4. Remove mounting plate from the canopy by unscrewing the collar.
5. Pass the power wire through the rod (G4), (G3), (G2) &(G1), screw the rod(G4) to lamp body(D) till tight, repeat the same operation on the rod(G3), (G2) and rod(G1). When you connect the rods, loosen the small hex screws(E) in the side hole first then tighten with Allen wrench(U) after all rods are connected. Be sure all the hexangular screws are tight enough.
6. Put the collar loop(C) and canopy(B) into the rod (G1) in turn, then pass the power wire through the mounting plate(A). Screw the rod(G1) to the nipple of mounting plate(A) till tight.
7. Pull the electrical cord of "j box" through the exit hole of the mounting plate(A).
8. PLEASE PAY SPECIAL ATTENTION THAT YOU DO NOT NEED TO CONNECT THE WIRE CONNECT DEVICE(M). IT IS USED FOR THE WIRE CONNECTION FOR EURO-MARKET.
9. Carefully inspect the chandelier's fixture wires. Neutral fixture wire: White Hot fixture wire: Black Ground wire: bare wire
10. Wrap ground wire of lamp assembly and ground wire of junction box together and fasten together with a wire nut and wrap the connection with electrical tape.
11. Attach the neutral fixture wire from the chandelier to the neutral junction box wire (usually white). Fasten each together with a wire nut and wrap the connection with electrical tape.
12. Attach the hot fixture wire from the chandelier to the hot junction box wire (usually black). Fasten each together with a wire nut and wrap the connection with electrical tape. DO NOT REVERSE THE HOT AND NEUTRAL CONNECTIONS OR SAFETY WILL BE COMPROMISED.
13. Connect the lamp power wires together with 2-wire terminal(P). Connecting the black wire to the positive electrodes and the white wire to the negative electrodes of the 2-wire terminal (P).
14. Gently tuck the wire connections(K) neatly into the ceiling junction box.
15. Place the mounting plate(A) over the center of the ceiling junction box.
16. Align holes in mounting plate(A) with holes in junction box and attach with two mounting bolts(J). Secure bolts with a Phillips head screwdriver.
17. Push canopy(B) up over the mounting plate(A) until it is flush with the ceiling.
18. Push collar(C) through hole in canopy(B) and thread onto nipple on the mounting plate(A). Secure by turning collar(C) clockwise until canopy(B) is flush with the ceiling.
19. Restore power to junction box and test fixture.

CARE INSTRUCTIONS:

Wipe with a soft, dry cloth. To protect finish, avoid the use of chemicals and household cleaners.

For customer service questions call 1-800-338-2150

ARTERIOORS