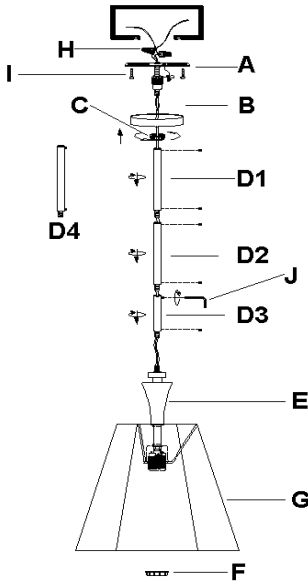


# ASSEMBLY INSTRUCTIONS

## ITEM DESCRIPTION:

ITEM NO.: DPC02	NAME: Teagan Pendant
MATERIAL TYPE: Steel/Alabaster	FINISH: Antique Brass/White
SOCKET TYPE: E26	SOCKET QTY: 1
BULB WATTAGE: 60W/13W CFL/5W LED	
VOLTAGE: 110-120 V	ITEM NET WEIGHT: 7LBS



## PARTS INCLUDED:

A MOUNTING PLATE	1 PC	F SOCKET RING	1 PC
B CANOPY	1 PC	G METAL SHADE	1 PC
C COLLAR LOOP	1 PC		
D1,D2,D3,D4 RODS	4 PCS		
E ASSEMBLY PART	1 PC		

## HARDWARE INCLUDED:

K Plastic Wire Connector	2 Pcs	F Allen Wrench	1 Pc
J Mounting Screws	2 Pc		
Green Ground Screw	1 Pc		

## TO INSTALL YOU WILL NEED:

- 2 people recommended
- Phillips Screwdriver

These instructions are provided for safety. It is very important that they are read carefully and completely before beginning installation of this chandelier.

We strongly suggest that all hard-wired fixtures must be installed by a professional electrician.

## TO ASSEMBLE:

1. Remove all packing contents from the carton(s) carefully. Please be sure you have all parts indicated before you begin assembly.
2. Please be sure you have all parts indicated before you begin assembly.
3. Shut off the main electrical supply from the main fuse box/circuit breaker.
4. Remove the mounting plate(a) from the canopy(b) by turning collar loop (c) in a counterclockwise direction.
5. Screw the rod(d3) to the top assembly part(e) and tighten hexangular screw in the side desire hole by Allen wrench(j). Repeat the same operation on the rod (d1) and (d2). If the ceiling is high enough, pls assemble the rod(d4) if need.
6. Install 1pcs type a 60w bulb (or suitable cfl/13w or led 5w not included) into the socket. Do not exceed specified wattage.
7. Carefully inspect the pendant's fixture wires. The neutral fixture wire has very fine ridges molded into its plastic covering. The hot fixture wire has a smooth covering. The bare silver wire is the grounded wire.
8. Attach the ground wire from the fixture to the ground junction box wire from the outlet (usually green or bare wire). Fasten each together with a plastic wire connector (h) and wrap the connection with electrical tape. If your outlet box does not have a ground wire, insert the green ground screw into the mounting plate (a) facing down, and wrap the fixture's bare ground wire around the ground screw. It is imperative that the outlet box in your home be properly grounded.
9. Connect the neutral fixture wire to the neutral junction box wire (usually white). Fasten each together with a wire connector (h) and wrap the connection with electrical tape. Be sure no strands are exposed.
10. Connect the hot fixture wire to the hot junction box wire (usually black). Fasten each together with a plastic wire connector (h) and wrap the connection with electrical tape. Be sure no wire strands are exposed. Do not reverse the hot and neutral connections or safety will be compromised.
11. Gently tuck the wire connections neatly into the ceiling junction box
12. Attach the mounting plate (a) with nipple to the ceiling outlet box using the enclosed mounting screws (l) and tighten screws with a screwdriver.
13. Push collar loop in canopy (b) and thread onto nipple in mounting plate (a) by turning in a clockwise.
14. Screw rod (d1) to canopy (b), using hexangular screw and Allen wrench(j) be sure all the hexangular screws are tight enough.
15. Place the metal shade(g) onto socket and secure it with socket ring(f)
16. Insert (1) 60W E26 bulb. Restore power and test fixture.

## CARE INSTRUCTIONS:

Wipe with a soft, dry cloth. To protect finish, avoid the use

For customer service questions call 1-800-338-2150

ARTERIO RS