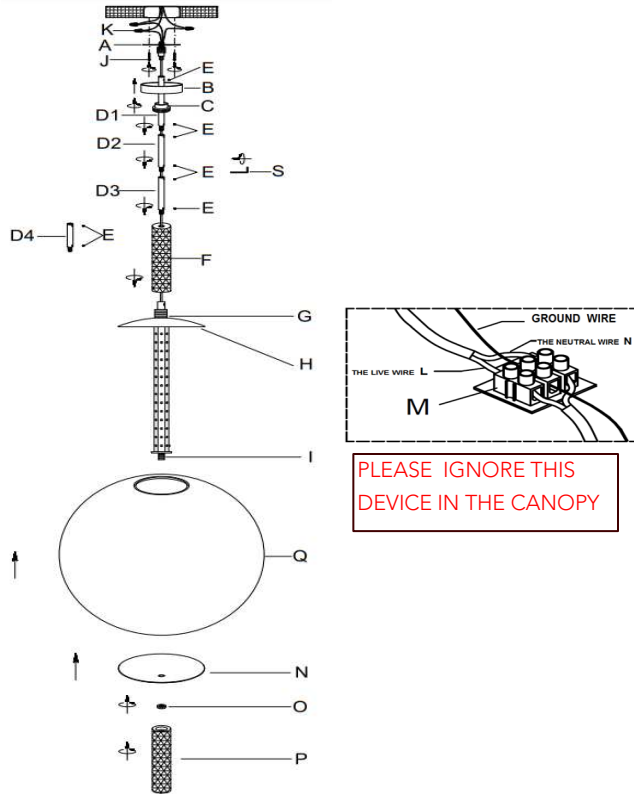


ASSEMBLY INSTRUCTIONS

ITEM DESCRIPTION:

ITEM NO.: DPC06	NAME: Tirso Pendant
MATERIAL TYPE: Steel, Glass FINISH: Antique Brass/Opal	
SOCKET TYPE: Integrated LED SOCKET QTY: 1	
BULB WATTAGE: 12W LED/3000K	
VOLTAGE: 110-120 V	ITEM NET WEIGHT: 9LBS



PARTS INCLUDED:

A MOUNTING PLATE	1 PC	H LAMP BODY	1 PC
B CANOPY	1 PC	I THREADED NIPPLE	1 PC
C COLLAR LOOP	1 PC	Q GLASS SHADE	1 PC
D1,D2,D3,D4 ROD	4 PCS	N METAL COVER	1 PC
E HEX SCREW	8 PCS	O KNURLED WASHER	1 PC
F KNURLED BAR	1 PC	P KNURLED FINIAL	1 PC
G THREADED PIPE	1 PC		

HARDWARE INCLUDED:

J Mounting Screws	S Allen Wrench
K Plastic Wire Connector	Green Ground Screw

TO INSTALL YOU WILL NEED:

- 2 people recommended
- Phillips Screwdriver

These instructions are provided for safety. It is very important that they are read carefully and completely before beginning installation of this chandelier.

We strongly suggest that all hard-wired fixtures must be installed by a professional electrician.



TO ASSEMBLE:

1. Remove all packing contents and parts from the carton(s) carefully. Ensure you have all parts indicated before you begin assembly.
2. Shut off the main electrical supply from the main fuse box/circuit breaker.
3. Connect the lamp body(h) with knurled bar(f) and secure by turning knurled bar(f) in a clockwise direction until tight.
4. Connect the knurled bar(f) and canopy(b) with rod (d1, d2, d3, d4), when you connect the rods, loosen the small hex screws(e) first, then tighten with allen wrench(s) after all rods are connected. Be sure all the hex screws(e) are tight enough.
5. Please pay special attention that you do not need to connect the terminal block (m) in the canopy. It is used for the wire connection for euro-market.
6. Carefully inspect the fixture wires. The neutral fixture wire has very fine ridges molded into its plastic covering. The hot fixture wire has a smooth covering. The bare wire is the grounded wire.
7. Attach the ground wire from the fixture to the ground junction box wire from the outlet (usually green or bare wire). Fasten each together with a plastic wire connector (k) and wrap the connection with electrical tape. If your outlet box does not have a ground wire, insert the green ground screw into the mounting plate (a) facing down, and wrap the fixture's bare ground wire around the ground screw. It is imperative that the outlet box in your home be properly grounded.
8. Connect the neutral fixture wire to the neutral junction box wire. Fasten each together with a wire connector (k) and wrap the connection with electrical tape. Be sure no strands are exposed.
9. Connect the hot fixture wire to the hot junction box wire (usually black). Fasten each together with a plastic wire connector (k) and wrap the connection with electrical tape. Be sure no wire strands are exposed. Do not reverse the hot and neutral connections or safety will be compromised.
10. Gently tuck the wire connections neatly into the junction box.
11. Attach the mounting plate (a) to the outlet box by using the mounting screws(j) and tighten screws with a screwdriver.
12. Push collar loop(c) in canopy (b) and tighten onto nipple in mounting plate (a) by turning in a clockwise direction.
13. Attach the glass shade(q) and metal cover (n) into the lamp body (h) carefully then tighten the knurling washer(o) in clockwise direction to secure glass shade (q)
14. Attach the knurling finial (p) onto the threaded nipple (i) and fix in a clockwise direction.
15. Restore power to the junction box and test fixture.

CARE INSTRUCTIONS:

Wipe with a soft, dry cloth. To protect finish, avoid the use of chemicals and household cleaners.

For customer service questions call 1-800-338-2150

ARTERIO RS