

# ASSEMBLY INSTRUCTIONS

## ITEM DESCRIPTION:

ITEM NO.:DPC37

NAME:KATHLEEN PENDANT

MATERIAL TYPE:IRON, GLASS

FINISH: ANTIQUE BRASS,  
FROSTED SMOKE

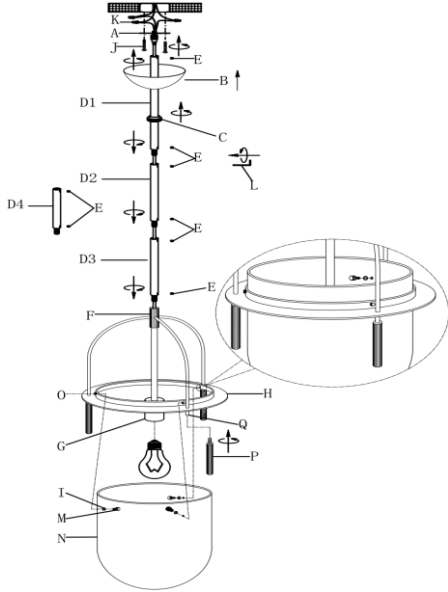
SOCKET TYPE: E26

SOCKET QTY: 1

BULB WATTAGE: 60W /CFL 13W /LED 8W

VOLTAGE: 110V-120V

ITEM NET WEIGHT: 24.3 LBS



## PARTS INCLUDED:

Mounting Plate (A)	Qty: 1Pc	Metal Ring (H)	Qty:1Pc
Canopy (B)	Qty: 1Pc	Rubber Washer (I)	Qty:3Pcs
Collar Ring (C)	Qty: 1Pc	Thumb Screw (M)	Qty:3Pcs
Rod (D)	Qty: 4Pcs	Glass Shade (N)	Qty:1Pc
Hex Screw (E)	Qty:8Pcs	Screw Nut (O)	Qty:3Pcs
Lamp Assembly (F)	Qty: 1Pc	Metal Bar (P)	Qty:3Pcs
Socket (G)	Qty: 1Pc	Wire Nut (Q)	Qty:3Pcs

## HARDWARE INCLUDED:

Mounting Screws (J)	Qty : 2Pcs	Canopy Screws	
Plastic Wire Connector (K)	Qty : 3Pcs	Allen Wrench (L)	Qty: 1Pc
Green Ground Screw	Qty : 1Pc		

## TO INSTALL YOU WILL NEED:

- 2 people recommended
- Phillips Screwdriver

These instructions are provided for safety. It is very important that they are read carefully and completely before beginning installation .

We strongly suggest that all hard-wired fixtures must be installed by a professional electrician.

For customer service questions call 1-800-338-2150



## TO ASSEMBLE:

1. Shut off the main electrical supply from the main fuse box/circuit breaker.
2. Carefully unpack all fixture parts and hardware and lay them on a soft surface for assembly.
3. Gently pull wiring down from ceiling junction box and allow to hang.
4. Remove mounting plate(A) from the canopy by unscrewing the collar.
5. Connect the lamp assembly(F) and canopy(B) with rod(D1,D2,D3,D4), when you connect the rods, loosen the small hex screws(E) first then tighten with Allen wrench(L) after all rods are connected. be sure all the hex screws(E) are tight enough.
6. Carefully inspect the chandelier's fixture wires. Neutral fixture wire: **White** Hot fixture wire: **Black** Ground wire: **Green**
7. Wrap ground wire of lamp assembly and ground wire of junction box together and fasten together with a wire connector(K) and wrap the connection with electrical tape.
8. Attach the neutral fixture wire from the chandelier to the neutral junction box wire (usually white). Fasten each together with a wire connector(K) and wrap the connection with electrical tape.
9. Attach the hot fixture wire from the chandelier to the hot junction box wire (usually black). Fasten each together with a wire nut and wrap the connection with electrical tape. **DO NOT REVERSE THE HOT AND NEUTRAL CONNECTIONS OR SAFETY WILL BE COMPROMISED.**
10. Gently tuck the wire connections neatly into the ceiling junction box.
11. Place the mounting plate(A) over the center of the ceiling junction box.
12. Align holes in mounting plate(A) with holes in junction box and attach with two mounting bolts. Secure bolts with a Phillips head screwdriver.
13. Push canopy (B) up over the mounting plate(A) until it is flush with the ceiling.
14. Push collar ring (C) through hole in canopy(B) and thread onto nipple on the mounting plate(A). Secure by turning collar ring (C) clockwise until canopy(B) is flush with the ceiling.
15. Insert 1 TYPE-A 60W /13W CFL/8W LED bulb (not included) into socket(G). **DO NOT EXCEED SPECIFIED WATTAGE OF PENDANT.**
16. Put the glass shade (N) into the metal ring (H) and align with the holes in screw nut (O), then attach thumb screw (M) with rubber washers (I) in a clockwise direction carefully to secure glass shade(N) .
17. Connect the metal bar (P) with wire nut (Q) by turning in a clockwise direction until tight.
18. Restore power to junction box and test fixture.

## CARE INSTRUCTIONS:

Wipe with a soft, dry cloth. To protect finish, avoid the use of chemicals and household cleaners.

ARTERIOURS