

ASSEMBLY INSTRUCTIONS

ITEM DESCRIPTION:

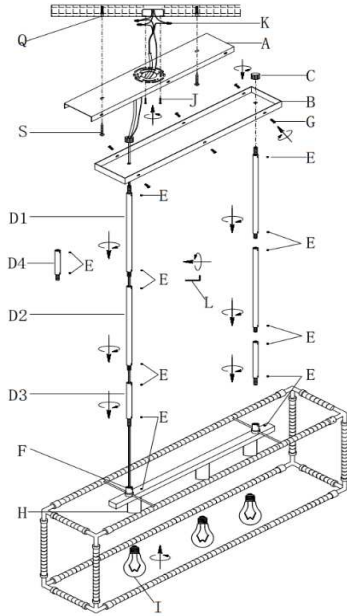
ITEM NO.: DRC01 NAME: Trenton Pendant

MATERIAL TYPE: Steel/Alabaster FINISH: Antique Brass/White

SOCKET TYPE: E26 SOCKET QTY: 3

BULB WATTAGE: 60W/13W CFL/5W LED

VOLTAGE: 110-120 V ITEM NET WEIGHT: 16LBS



PARTS INCLUDED:

A MOUNTING PLATE	1 PC	F LAMP BODY	1 PC
B CANOPY	1 PC	G SET SCREW	6 PCS
C KNURLING NUT	2 PCS	H SOCKET	3 PCS
D1,D2,D3,D4 ROD	8 PCS	I BULBS(NOT INCLUDED)	3PCS
E HEX SCREW	18 PCS		

HARDWARE INCLUDED:

K Plastic Wire Connector	2 Pcs	F Allen Wrench	1 Pc
J Mounting Screws	2 Pc	Q Anchor	
Green Ground Screw	1 Pc	S Strengthened Screw	

TO INSTALL YOU WILL NEED:

- 2 people recommended
- Phillips Screwdriver

These instructions are provided for safety. It is very important that they are read carefully and completely before beginning installation of this chandelier.

We strongly suggest that all hard-wired fixtures must be installed by a professional electrician.



TO ASSEMBLE:

1. Remove all packing contents from the carton(s) carefully. Please be sure you have all parts indicated before you begin assembly.
2. Shut off the main electrical supply from the main fuse box/circuit breaker.
3. Pull the electrical cord from canopy(b) and knurling nut (c) through the exit hole of the mounting plate(a)
4. Connect lamp body(f) and canopy(b) with rod (d1, d2, d3, d4) by turning knurling nut (c) in a clockwise direction until tighten, when you connect the rods, loosen the small hex screws(e) first then tighten with Allen wrench(l) after all rods are connected. Be sure all the hex screws(e) are tight enough.
5. Drill 2 holes in wall in line with 2 holes of mounting plate(a), insert plastic anchors(q) into drilled holes. Fasten mounting plate(a) to wall by screwing the 2 strengthen screws(s) provided in the plastic anchors(q).
6. Attach the mounting plate (a) to the outlet box by using the mounting screws(j).
7. Carefully inspect the pendant's fixture wires. The neutral fixture wire has very fine ridges molded into its plastic covering. The hot fixture wire has a smooth covering. The bare silver wire is the grounded wire.
8. Attach the ground wire from the fixture to the ground junction box wire from the outlet (usually green or bare wire). Fasten each together with a plastic wire connector (k) and wrap the connection with electrical tape. If your outlet box does not have a ground wire, insert the green ground bare ground wire around the ground screw. It is imperative that the outlet box in your home be properly grounded.
9. Connect the neutral fixture wire to the neutral junction box wire (usually white). Fasten each together with a wire connector (k) and wrap the connection with electrical tape. Be sure no strands are exposed.
10. Connect the hot fixture wire to the hot junction box wire (usually black). Fasten each together with a plastic wire connector (k) and wrap the connection with electrical tape. Be sure no wire strands are exposed. Do not reverse the hot and neutral connections or safety will be compromised.
11. Gently tuck the wire connections neatly into the ceiling junction box.
12. Attach the canopy(b) to the mounting plate(a) using the enclosed set screws(g). secure the canopy by tightening 6 set screws(g)
13. Insert 3 type a 60w bulb (or cfl 13w or led 8w, not included) into the sockets(h). do not exceed specified wattage.
14. Restore power to the junction box and test fixture.

CARE INSTRUCTIONS:

Wipe with a soft, dry cloth. To protect finish, avoid the use of chemicals and household cleaners.

For customer service questions call 1-800-338-2150

ARTERIO RS