

# ASSEMBLY INSTRUCTIONS

## ITEM DESCRIPTION:

ITEM NO.: DRC07 NAME: XIMENA CHANDELIER

MATERIAL TYPE: METAL

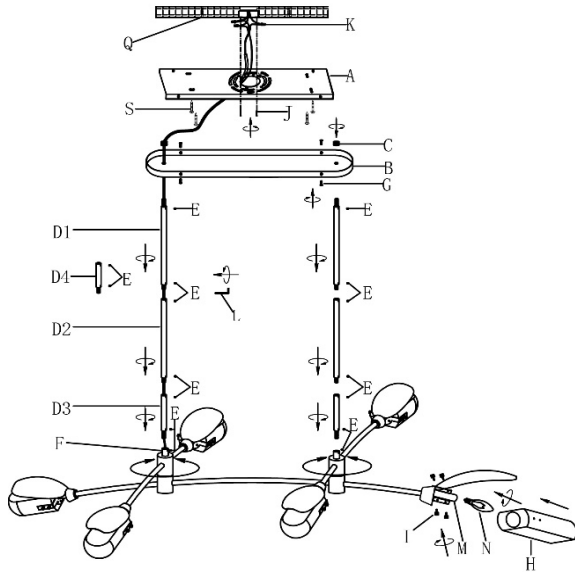
FINISH: ANTIQUÉ BRASS

SOCKET TYPE: E12 CERAMIC SOCKET QTY: 6

BULB WATTAGE: 60W or /CFL 13W or /LED 8W

VOLATGE: 110V-120V

ITEM NET WEIGHT: 35.6 LBS



## PARTS INCLUDED:

MOUNTING PLATE A	QTY:1	LAMP BODY F	QTY:1
CANOPY B	QTY:1	SET SCREW G	QTY:4
KNURLING NUT C	QTY:2	CRYSTAL H	QTY:6
ROD D	QTY:8	SCREW NUT I	QTY:24
HEX SCREW E	QTY:18	SOCKET M	QTY:6

## HARDWARE INCLUDED:

Mounting Screws	2	Plastic anchor	4
Plastic Wire Connectors	3	Strengthen Screw	4
Green Ground Screw	1	Allen Wrench	1

## TO INSTALL YOU WILL NEED:

- 2 people recommended
- Phillips Screwdriver

These instructions are provided for safety. It is very important that they are read carefully and completely before beginning installation of this chandelier.

**We strongly suggest that all hard wired fixtures must be installed by a professional electrician.**

## TO ASSEMBLE:

1. Shut off the main electrical supply from the main fuse box/ circuit breaker.
2. Carefully unpack all fixture parts and hardware and lay them on a soft surface for assembly .
3. Gently pull wiring down from ceiling junction box and allow to hang .
4. Pull the electrical cord from canopy(B) and knurling nut (C)through the exit hole of the mounting plate(A)
5. Connect lamp body (F) and canopy (B) with rod(D1,D2,D3,D4) by turning knurling nut (C)in a clockwise direction until tighten,when you connect the rods,loosen the small hex screws(E) first then tighten with allen wrench(L) after all rods are connected. be sure all the hex screws(E)are tight enough.
6. Drill 4 holes in wall in line with 4 holes of mounting plate(A),insert plastic anchors(Q)into drilled holes.fasten mounting plate(A)to wall by screwing the 4 strengthen screws(S) provided in the plastic anchors(Q).
7. Attach the mounting plate (A) to the outlet box by using the mounting screws(J).
8. Carefully inspect the pendant's fixture wires .  
**Neutral fixture wire: White**  
**Hot fixture wire: Black**  
**Ground wire: Green**
9. Wrap ground wire of lamp assembly and ground wire of junction box together and fasten together with a wire nut and wrap the connection with electrical tape .
10. Attach the neutral fixture wire from the pendant to the neutral junction box wire (usually white) . Fasten each together with a wire nut and wrap the connection with electrical tape .
11. Attach the hot fixture wire from the pendant to the hot junction box wire (usually black) . Fasten each together with a wire nut and wrap the connection with electrical tape .  
**DO NOT REVERSE THE HOT AND NEUTRAL CONNECTIONS OR SAFETY WILL BE COMPROMISED.**
12. Gently tuck the wire connections neatly into the ceiling junction box .
13. Attach the canopy(B) to the mounting plate(A) using the enclosed set screws(G),secure the canopy by tightening 4 set screws(G)
14. Insert 6 TYPE-B 60W or/cfl 13w or /led 8w bulb(not included) into socket(M).**DO NOT EXCEED SPECIFIED WATTAGE OF CHANDELIER**
15. Restore power to junction box and test fixture.

## CARE INSTRUCTIONS:

Wipe with a soft, dry cloth. To protect finish, avoid the use of chemicals and household cleaners.

For customer service questions call 1-800-338-2150

ARTERIO RS