

# ASSEMBLY INSTRUCTIONS

## ITEM DESCRIPTION:

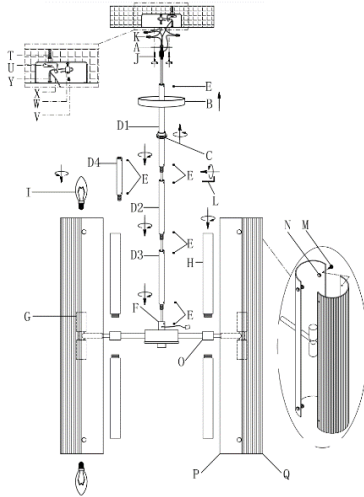
ITEM NO: DSC03 NAME: Winslow Chandelier

MATERIAL TYPE: Brass FINISH: Antique Brass

SOCKET TYPE: E12 SOCKET QTY: 8

BULB WATTAGE: 40W/CFL 10W/LED 9W

VOLTAGE: 110-120V ITEM NET WEIGHT: 12LBS



## PARTS INCLUDED:

Mounting Plate (A)	Qty: 1	Knurled Nut (P)	Qty: 16
Canopy (B)	Qty: 1	Metal Shade (P)	Qty: 4
Collar Loop (C)	Qty: 1	Acrylic Shade (Q)	Qty: 4
Pipe (D)	Qty: 4	Steel Rope (X)	Qty: 16
Body (F)	Qty: 1	Hex Screw (E)	Qty: 9
Socket (G)	Qty: 8	Set Screw (V)	
Crystal Bar (H)	Qty: 8	Strengthen Screw (Y)	
Bulb- not included (I)	Qty: 8		
Thumb Screw (M)	Qty: 16		

## HARDWARE INCLUDED:

Mounting Screws (J)	Anchor (T)
Wire Connector (K)	Bracket (U)
Allen Wrench (L)	Coupling (W)

## TO INSTALL YOU WILL NEED:

- 2 people recommended
- Phillips Screwdriver

These instructions are provided for safety. It is very important that they are read carefully and completely before beginning installation of this chandelier.

We strongly suggest that all hard-wired fixtures must be installed by a professional electrician.



## TO ASSEMBLE:

1. Shut off the main electrical supply from the main fuse box/circuit breaker and unpack all fixture parts and hardware.
2. Gently pull wiring down from ceiling junction box and allow to hang and remove mounting plate from the canopy by unscrewing the collar.
3. Carefully inspect the pendant's fixture wires.  
Neutral fixture wire: White  
Hot fixture wire: Black  
Ground wire: Green
4. Wrap ground wire of lamp assembly and ground wire of junction box together and fasten together with a wire nut and wrap the connection with electrical tape.
5. Attach the neutral fixture wire from the pendant to the neutral junctionbox wire (usually white). Fasten each together with a wire nut and wrap the connection with electrical tape.
6. Attach the hot fixture wire from the pendant to the hot junction box wire (usually black). Fasten each together with a wire nut and wrap the connection with electrical tape. **DO NOT REVERSE THE HOT AND NEUTRAL CONNECTIONS OR SAFETY WILL BE COMPROMISED.**
7. Gently tuck the wire connections neatly into the ceiling junction box and place the mounting plate over the center of the ceiling junction box.
9. Align holes in mounting plate with holes in junction box and attach with two mounting bolts. Secure bolts with a Phillips head screwdriver. Push canopy up over the mounting plate until it is flush with the ceiling.
10. Push collar through hole in canopy and thread onto nipple on the mounting plate. Secure by turning collar clockwise until canopy is flush with the ceiling.
11. Attach the metal shade (P) to the acrylic shade (Q) with thumb screw (M) from outside, then fix the shades by turning the knurled nut (N) in a clockwise direction. Attach the crystal bar (H) into the threaded hole on the body and tighten in a clockwise direction.
12. Restore power to junction box and test fixture. Insert 40-Watt maximum E12 Type T6 bulb into fixture. **DO NOT EXCEED SPECIFIED WATTAGE OF FIXTURE.**

## CARE INSTRUCTIONS:

Wipe with a soft, dry cloth. To protect finish, avoid the use of chemicals and household cleaners.

For customer service questions call 1-800-338-2150

ARTERIOS