

ASSEMBLY INSTRUCTIONS

ITEM DESCRIPTION:

ITEM NO.: DWC06

NAME: Wayman Sconce

MATERIAL TYPE: Leather, Linen, Steel FINISH: Oxblood, White, Antique Brass

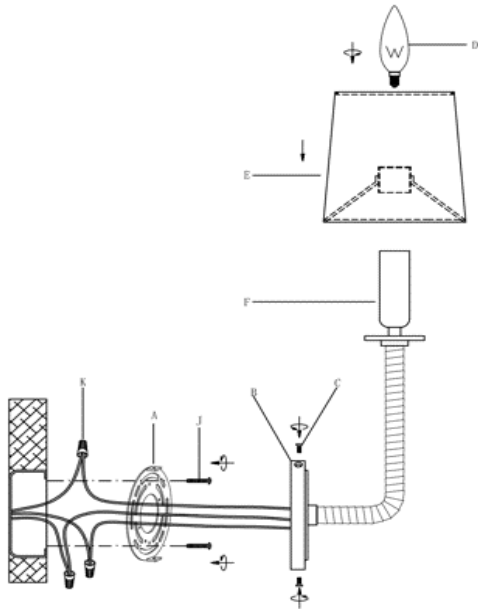
SOCKET TYPE: E12

SOCKET QTY: 1

BULB WATTAGE: 60W/16W CFL/13W LED

VOLTAGE: 110-120 V

ITEM NET WEIGHT: 2LBS



PARTS INCLUDED:

A Mounting Plate	Qty: 1	D Bulb (Not Included)
B Lamp Base	Qty: 1	
C Set Screw	Qty: 2	
E Linen Shade	Qty: 1	
F Socket	Qty: 1	

HARDWARE INCLUDED:

J Mounting Screws	2 Pcs
K Plastic Wire Connector	2 Pc

TO INSTALL YOU WILL NEED:

- 2 people recommended
- Phillips Screwdriver

These instructions are provided for safety. It is very important that they are read carefully and completely before beginning installation of this chandelier.

We strongly suggest that all hard-wired fixtures must be installed by a professional electrician.



TO ASSEMBLE:

1. REMOVE ALL PACKING CONTENTS AND PARTS FROM THE CARTON(S) CAREFULLY
2. PLEASE BE SURE YOU HAVE ALL PARTS INDICATED BEFORE YOU BEGIN ASSEMBLY
3. SHUT OFF THE MAIN ELECTRICAL SUPPLY FROM THE MAIN FUSE BOX/CIRCUIT BREAKER.
4. PULL THE ELECTRICAL CORD OF "J BOX" THROUGH THE EXIT HOLE OF THE MOUNTING PLATE(A)
5. CAREFULLY INSPECT THE FIXTURE WIRES. THE NEUTRAL FIXTURE WIRE HAS VERY FINE RIDGES MOLDED INTO ITS PLASTIC COVERING. THE HOT FIXTURE WIRE HAS A SMOOTH COVERING. THE BARE WIRE IS THE GROUNDED WIRE.
6. ATTACH THE GROUND WIRE FROM THE FIXTURE TO THE GROUND JUNCTION BOX WIRE FROM THE OUTLET (USUALLY GREEN OR BARE WIRE). FASTEN EACH TOGETHER WITH A PLASTIC WIRE CONNECTOR (K) AND WRAP THE CONNECTION WITH ELECTRICAL TAPE. IF YOUR OUTLET BOX DOES NOT HAVE A GROUND WIRE, INSERT THE GREEN GROUND SCREW INTO THE MOUNTING PLATE (A) FACING DOWN, AND WRAP THE FIXTURE'S BARE GROUND WIRE AROUND THE GROUND SCREW. IT IS IMPERATIVE THAT THE OUTLET BOX IN YOUR HOME BE PROPERLY GROUNDED.
7. CONNECT THE NEUTRAL FIXTURE WIRE TO THE NEUTRAL JUNCTION BOX WIRE (USUALLY WHITE). FASTEN EACH TOGETHER WITH A WIRE CONNECTOR (K) AND WRAP THE CONNECTION WITH ELECTRICAL TAPE. BE SURE NO STRANDS ARE EXPOSED.
8. CONNECT THE HOT FIXTURE WIRE TO THE HOT JUNCTION BOX WIRE (USUALLY BLACK). FASTEN EACH TOGETHER WITH A PLASTIC WIRE CONNECTOR (K) AND WRAP THE CONNECTION WITH ELECTRICAL TAPE. BE SURE NO WIRE STRANDS ARE EXPOSED. DO NOT REVERSE THE HOT AND NEUTRAL CONNECTIONS OR SAFETY WILL BE COMPROMISED.
9. GENTLY TUCK THE WIRE CONNECTIONS NEATLY INTO THE JUNCTION BOX.
10. ATTACH THE MOUNTING PLATE (A) TO THE OUTLET BOX BY USING THE MOUNTING SCREWS (J) AND TIGHTEN SCREWS WITH A SCREWDRIVER.
11. ATTACH THE LAMP BASE (B) TO THE MOUNTING PLATE (A) BY USING THE ENCLOSED SET SCREWS (C) AND SECURE THE LAMP BASE (B) BY TIGHTENING 2 SET SCREWS (C) IN A CLOCKWISE DIRECTION.
12. PUT LINEN SHADE (E) ONTO THE SOCKET (F).
13. INSERT 1 TYPE B 60W or/CFL 13W or/LED 8W BULB (NOT INCLUDED) INTO THE SOCKET (F). DO NOT EXCEED SPECIFIED WATTAGE.
14. RESTORE POWER TO THE JUNCTION BOX AND TEST FIXTURE.

CARE INSTRUCTIONS:

Wipe with a soft, dry cloth. To protect finish, avoid the use of chemicals and household cleaners.

For customer service questions call 1-800-338-2150

ARTERIO RS