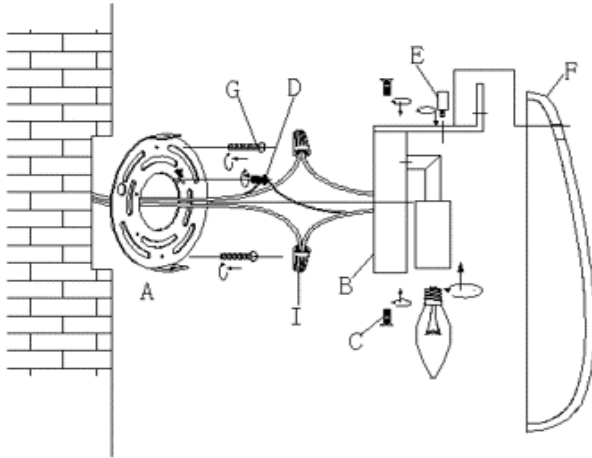


# ASSEMBLY INSTRUCTIONS

## ITEM DESCRIPTION:

ITEM NO.: DWC09	NAME: Tessa Sconce
MATERIAL TYPE: Slump Glass, Steel	FINISH: Clear Seedy, Antique Brass
SOCKET TYPE: E26	SOCKET QTY: 1
BULB WATTAGE: 25W/7W CFL/5W LED	
VOLTAGE: 110-120 V	ITEM NET WEIGHT: 3LBS



## PARTS INCLUDED:

A Mounting Plate	Qty: 1	F Glass Shade	Qty: 1
B Lamp Body	Qty: 1		
C Plate Screw	Qty: 2		
D Ground Screw	Qty: 1		
E Column Stopper	Qty: 1		

## HARDWARE INCLUDED:

I Plastic Wire Connector	2 Pcs
G Mounting Screws	2 Pc

## TO INSTALL YOU WILL NEED:

- 2 people recommended
- Phillips Screwdriver

These instructions are provided for safety. It is very important that they are read carefully and completely before beginning installation of this chandelier.

We strongly suggest that all hard-wired fixtures must be installed by a professional electrician.



## TO ASSEMBLE:

1. REMOVE ALL PACKING CONTENTS AND PARTS FROM THE CARTON(S) CAREFULLY.
2. PLEASE BE SURE YOU HAVE ALL PARTS INDICATED BEFORE YOU BEGIN ASSEMBLY.
3. TURN OFF POWER TO THE JUNCTION BOX WHERE THE LAMP WILL BE INSTALLED
4. REMOVE THE MOUNTING PLATE (A) FROM THE LAMP BODY (B) BY LOOSE PLATE SCREWS(C)
5. PULL THE ELECTRICAL CORD OF "J BOX" THROUGH THE EXIT HOLE OF THE MOUNTING PLATE(A)
6. ATTACH THE GROUND WIRE FROM THE FIXTURE TO THE GROUND JUNCTION BOX WIRE FROM THE OUTLET (USUALLY GREEN OR BARE WIRE). FASTEN EACH TOGETHER WITH A PLASTIC WIRE CONNECTOR (I) AND WRAP THE CONNECTION WITH ELECTRICAL TAPE. IF YOUR OUTLET BOX DOES NOT HAVE A GROUND WIRE, INSERT THE GREEN GROUND SCREW(E) INTO THE MOUNTING PLATE (A) FACING DOWN, AND WRAP THE FIXTURE'S BARE GROUND WIRE AROUND THE GROUND SCREW. IT IS IMPERATIVE THAT THE OUTLET BOX IN YOUR HOME BE PROPERLY GROUNDED.
7. CONNECT THE NEUTRAL FIXTURE WIRE TO THE NEUTRAL JUNCTION BOX WIRE (USUALLY WHITE). FASTEN EACH TOGETHER WITH A WIRE CONNECTOR (I) AND WRAP THE CONNECTION WITH ELECTRICAL TAPE. BE SURE NO STRANDS ARE EXPOSED.
8. CONNECT THE HOT FIXTURE WIRE TO THE HOT JUNCTION BOX WIRE (USUALLY BLACK). FASTEN EACH TOGETHER WITH A PLASTIC WIRE CONNECTOR (I) AND WRAP THE CONNECTION WITH ELECTRICAL TAPE. BE SURE NO WIRE STRANDS ARE EXPOSED. DO NOT REVERSE THE HOT AND NEUTRAL CONNECTIONS OR SAFETY WILL BE COMPROMISED.
9. GENTLY TUCK THE WIRE CONNECTIONS NEATLY INTO THE CEILING JUNCTION BOX.
10. ATTACH THE MOUNTING PLATE (A) TO THE OUTLET BOX USING THE MOUNTING SCREWS(D). TIGHTEN WITH A SCREWDRIVER (NOT INCLUDED (J)).
11. ATTACH THE BACK PLATE(B) TO THE MOUNTING PLATE(A) USING THE ENCLOSED PLATE SCREWS(C). TIGHTEN SCREWS WITH A SCREWDRIVER (NOT INCLUDED (J)).
12. INSTALL TYPE B 25W BULB (OR 6W CFL/2W LED, NOT INCLUDED) INTO THREADED SOCKET.
13. PLEASE INSTALL THE GLASS SHADE ONTO HANGER PROPERLY AS ILLUSTRATION, THEN SECURE IT WITH COLUMN STOPPER.

## CARE INSTRUCTIONS:

Wipe with a soft, dry cloth. To protect finish, avoid the use of chemicals and household cleaners.

For customer service questions call 1-800-338-2150

ARTERIORES