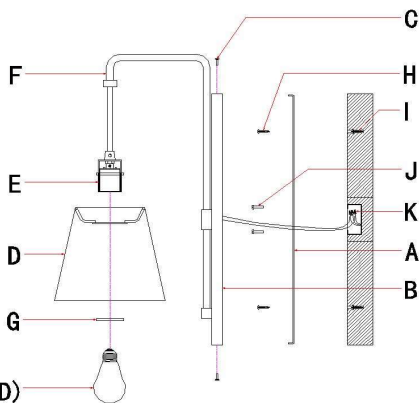


# ASSEMBLY INSTRUCTIONS

## ITEM DESCRIPTION:

ITEM NO.: DWC20	NAME: BENIN SCONCE
MATERIAL: IRON	FINISH: ENGLISH BRONZE
SOCKET TYPE: : E26	SOCKET QTY: 1
BULB WATTAGE: TYPE A 60W	
VOLTAGE: 100V-120V	ITEM NET WEIGHT:7.7 LBS



## PARTS INCLUDED:

Mounting Plate(A)	Qty: 1PC
Back Plate(B)	Qty: 1PC
Canopy Screw(C)	Qty:2PCS
Lamp Shade(D)	Qty: 1PC
Socket(E)	Qty: 1PC
Socket Ring(G)	Qty: 1PC
Mounting Screw(J)	Qty:2PCS
Plastic Wire Connector(K Qty:3PCS	
Anchor(I)	Qty:3PCS
Strengthened Screw(H)	Qty:3PCS

## HARDWARE INCLUDED:

Mounting Screws	Qty: 2PCS
Canopy Screws	Qty: 2PCS
Green Ground Screw	Qty: 1PC
Plastic Wire Connector	Qty: 3PCS

## TOOLS NEEDED (Not Included):

1 Screwdriver

These instructions are provided for safety. It is very important that they are read carefully and completely before beginning installation of this chandelier.

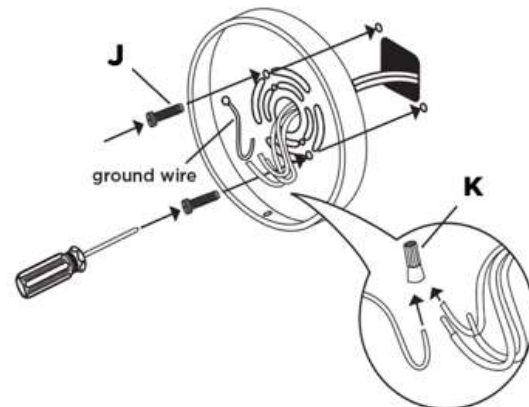
We strongly suggest that all hard-wired fixtures must be installed by a professional electrician.

For customer service questions call 1-800-338-2150



## TO ASSEMBLE:

1. Shut off the main electrical supply from the main fuse box/circuit breaker.
2. Position fixture in desired location on wall. The mounting plate (A) features (2) holes for screw mounting. Mark these spots on the wall with a pencil to drill holes. Drill 2 holes on these spots and insert anchor(I) into drilled holes.
3. Attach the mounting plate (A) to wall or junction box using mounting screws(J), and tighten it with a screwdriver. Then fix the top and bottom of the mounting plate (A) by inserting 2pcs of strengthened screw(H) into the anchor(I) and tighten strengthened screw(H) with a screwdriver.
4. Pull the electrical cord of "J-box" through the exit hole of the mounting plate(A)
5. Connect ground wire from wall to ground wire from lamp using wire caps (K).
6. Attach house wire to lamp wires as shown. Fasten the pairs together with a wire caps  
**DO NOT REVERSE THE HOT AND NEUTRAL CONNECTIONS OR SAFETY WILL BE COMPROMISED.**
7. Attach front face of light to back plate by inserting canopy screws (C) through predrilled holes in front face and into back plate as shown. Tighten using screwdriver.
8. Remove the socket ring (G) from the socket(E). Attach the lamp



## CARE INSTRUCTIONS:

Wipe with a soft, dry cloth. To protect finish, avoid the use of chemicals and household cleaners.

ARTERIOS