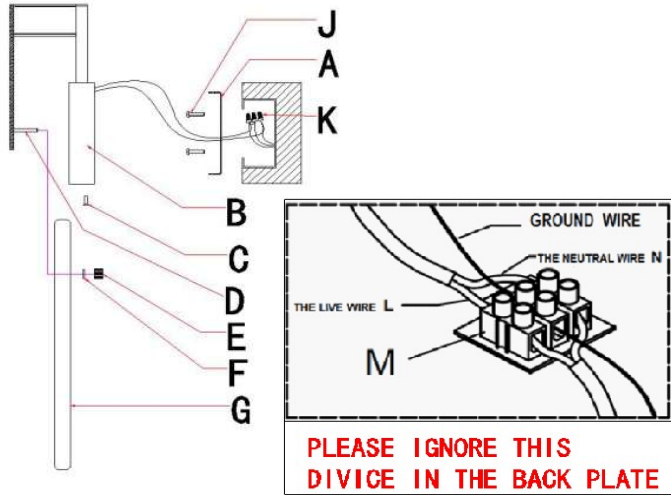


ASSEMBLY INSTRUCTIONS

ITEM DESCRIPTION:

ITEM NO.:DWC21	NAME: ZELDA SCONCE
MATERIAL TYPE: METAL+ GLASS	FINISH: ANTIQUE BRASS+SMOKE LUSTER SLUMP GLASS
SOCKET TYPE: : LED	SOCKET QTY: 1
BULB WATTAGE: 3W	
VOLTAGE: 100V-120V	ITEM NET WEIGHT:7.7 LBS



PARTS INCLUDED:

Mounting Plate(A)	Qty: 1PC
Back Plate(B)	Qty: 1PC
Canopy Screw(C)	Qty:2PCS
Threaded Rod(D)	Qty: 1PC
Thumb-Screw(E)	Qty: 1PC
Rubber Gasket(F)	Qty: 1PC
Glass(G)	Qty: 1PC
Mounting Screw(J)	Qty:2PCS
Plastic Wire Connector(K)	Qty:3PCS

HARDWARE INCLUDED:

Mounting Screws	Qty: 2PCS
Canopy Screws	Qty: 2PCS
Green Ground Screw	Qty: 1PC
Plastic Wire Connector	Qty: 3PCS

TOOLS NEEDED (Not Included):

1 Screwdriver

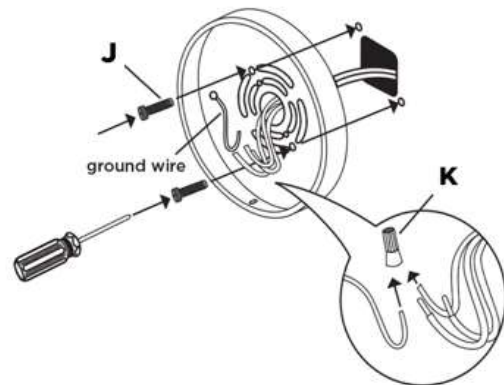
These instructions are provided for safety. It is very important that they are read carefully and completely before beginning installation of this chandelier.

We strongly suggest that all hard-wired fixtures must be installed by a professional electrician.



TO ASSEMBLE:

1. Shut off the main electrical supply from the main fuse box/circuit breaker.
2. Attach mounting plate(A) to wall or junction box using mounting screws (J), and tighten it with a screwdriver.
3. Connect ground wire from wall to ground wire from lamp using wire caps (K).
4. Attach house wire to lamp wires as shown. Fasten the pairs together with a wire caps DO NOT REVERSE THE HOT AND NEUTRAL CONNECTIONS OR SAFETY WILL BE COMPROMISED.
5. PLEASE PAY SPECIAL ATTENTION THAT YOU DO NOT NEED TO CONNECT THE WIRE CONNECT DEVICE(M). IT IS USED FOR THE WIRE CONNECTION FOR EURO-MARKET.
6. Gently tuck the wire connections neatly into the junction box.
7. Attach front face of light to back plate by inserting canopy screws (C) through predrilled holes in front face and into back plate as shown. Tighten using screwdriver.
8. Remove the thumb-screw(E)and rubber gasket(F) from the threaded rod(D).
9. Hang the glass (G) into the threaded rod(D) and place the washer onto the the threaded rod(D) . Next, turn the thumb-screw (E) clockwise to firmly secure the glass in place.
10. Restore power to junction box and test fixture. DO NOT EXCEED SPECIFIED MAX WATTAGE.



CARE INSTRUCTIONS:

Wipe with a soft, dry cloth. To protect finish, avoid the use of chemicals and household cleaners.

For customer service questions call 1-800-338-2150

ARTERIOS