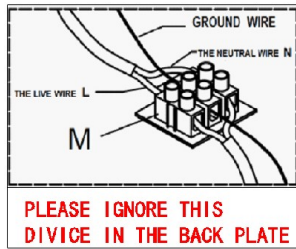
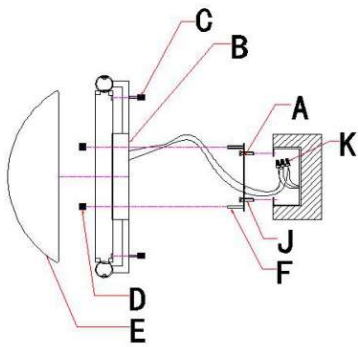


ASSEMBLY INSTRUCTIONS

ITEM DESCRIPTION:

ITEM NO.:DWC25	NAME: ALICIA SCONCE
MATERIAL TYPE: METAL+ GLASS	FINISH: ANTIQUE BRASS+AMBER SLUMP GLASS
SOCKET TYPE: : LED	SOCKET QTY: 1
BULB WATTAGE: 10W	
VOLTAGE: 100V-120V	ITEM NET WEIGHT: 7.7 LBS



PARTS INCLUDED:

Mounting Plate(A)	Qty: 1PC
Back Plate(B)	Qty: 1PC
Thumb-Screw(C)	Qty:2PCS
Ribbed Metal Cap (D)	Qty:2PCS
Glass(E)	Qty: 1PC
Mounting Screw(J)	Qty:2PCS
Plastic Wire Connector(K)	Qty:3PCS
Threaded Rod(F)	Qty:2PCS

HARDWARE INCLUDED:

Mounting Screws	Qty: 2PCS
Canopy Screws	Qty: 2PCS
Green Ground Screw	Qty: 1PC
Plastic Wire Connector	Qty: 3PCS

TOOLS NEEDED (Not Included):

1 Screwdriver

These instructions are provided for safety. It is very important that they are read carefully and completely before beginning installation of this chandelier.

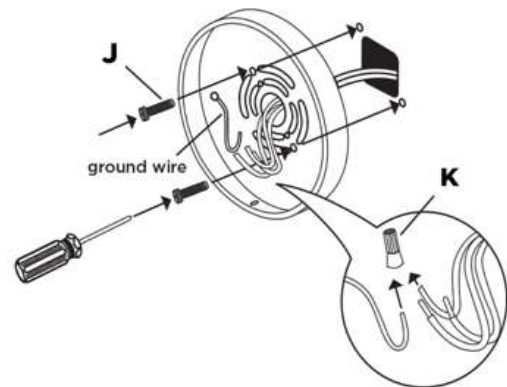
We strongly suggest that all hard-wired fixtures must be installed by a professional electrician.

For customer service questions call 1-800-338-2150



TO ASSEMBLE:

1. Shut off the main electrical supply from the main fuse box/circuit breaker.
2. Attach mounting plate(A) to wall or junction box using mounting screws (J), and tighten it with a screwdriver.
3. Connect ground wire from wall to ground wire from lamp using wire caps (K).
4. Attach house wire to lamp wires as shown. Fasten the pairs together with a wire caps
DO NOT REVERSE THE HOT AND NEUTRAL CONNECTIONS OR SAFETY WILL BE COMPROMISED.
5. PLEASE PAY SPECIAL ATTENTION THAT YOU DO NOT NEED TO CONNECT THE WIRE CONNECT DEVICE(M). IT IS USED FOR THE WIRE CONNECTION FOR EURO-MARKET.
6. Gently tuck the wire connections neatly into the junction box.
7. Attach the back plate(B) to the mounting plate(A) by inserting it onto the threaded rod (F) that is attached to the mounting plate(A), as shown. Tighten by using the ribbed metal cap (D).
8. Place the glass (E) onto the lamp body and tighten the thumb screw (C) to secure the glass in place.
9. Restore power to junction box and test fixture. DO NOT EXCEED SPECIFIED MAX WATTAGE.



CARE INSTRUCTIONS:

Wipe with a soft, dry cloth. To protect finish, avoid the use of chemicals and household cleaners.

ARTERIO RS