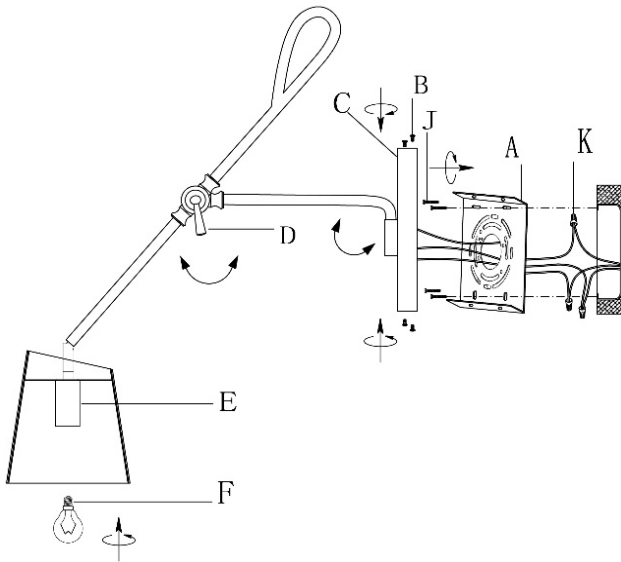


ASSEMBLY INSTRUCTIONS

ITEM DESCRIPTION:

ITEM NO.: DWC27	NAME: Birdwell Sconce
MATERIAL TYPE: Leather	FINISH: Graphite
SOCKET TYPE: E12	SOCKET QTY: 1
BULB WATTAGE: 40W/10W CFL/9W LED	
VOLTAGE: 110-120V	ITEM NET WEIGHT: 5LBS



PARTS INCLUDED:

MOUNTING PLATE A	QTY:1	SOCKET E	QTY:1
CANOPY SCREW B	QTY:4		
LAMP BASE C	QTY:1		

HARDWARE INCLUDED:

Mounting Screws	QTY: 4
Plastic Wire Connector	QTY: 3

TO INSTALL YOU WILL NEED:

- 2 people recommended
- Phillips Screwdriver

These instructions are provided for safety. It is very important that they are read carefully and completely before beginning installation.

We strongly suggest that all hard-wired fixtures must be installed by a professional electrician.



TO ASSEMBLE:

1. Shut off the main electrical supply from the main fuse box/circuit breaker
2. Attach mounting plate(A) to wall or junction box using mounting screws (J).
3. Connect ground wire from wall to ground wire from lamp using wire caps (K).
4. Attach house wire to lamp wires as shown. Fasten the pairs together with a wire caps DO NOT REVERSE THE HOT AND NEUTRAL CONNECTIONS OR SAFETY WILL BE COMPROMISED.
5. Attach front face of light to mounting plate (A) by inserting canopy screws (B) through predrilled holes in front face and into mounting plate (A) as shown. Tighten using screwdriver.
6. Insert 1 TYPE-G LED BULB 8W (not included) into socket(E). DO NOT EXCEED SPECIFIED WATTAGE OF SCONCE .
7. Restore power to junction box and test fixture.

CARE INSTRUCTIONS:

Wipe with a soft, dry cloth. To protect finish, avoid the use of chemicals and household cleaners.

For customer service questions call 1-800-338-2150

ARTERIO RS