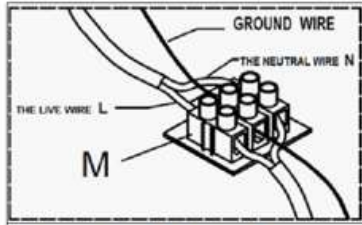
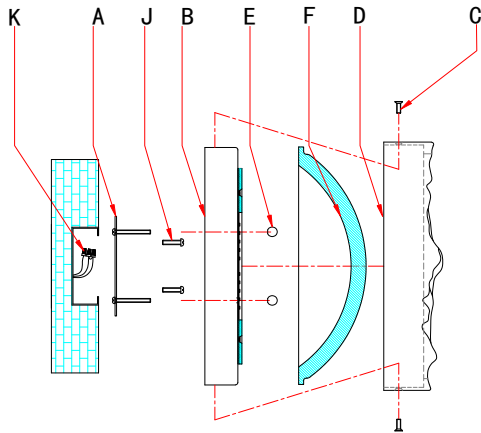


ASSEMBLY INSTRUCTIONS

ITEM DESCRIPTION:

ITEM NO.:DWC48	NAME: GRACE SCNCE
MATERIAL TYPE: BRASS	FINISH: ANTIQUE BRASS
SOCKET TYPE: : LED	SOCKET QTY: 1
BULB WATTAGE: 10W	
VOLTAGE: 100V-120V	ITEM NET WEIGHT: 9 LBS



PLEASE IGNORE THIS DEVICE ON THE BACK PLATE.

PARTS INCLUDED:

Mounting Plate(A)	Qty: 1PC
Lamp Body(B)	Qty: 1PC
Canopy Screw(C)	Qty: 2PCS
Brass Frame(D)	Qty: 1PC
Finial (E)	Qty: 2PCS
Mounting Screw(J)	Qty: 2PCS
Plastic Wire Connector(K)	Qty: 3PCS
Alabaster Shade(F)	Qty: 1PC

HARDWARE INCLUDED:

Mounting Screws	Qty: 2PCS
Canopy Screws	Qty: 2PCS
Green Ground Screw	Qty: 1PC
Plastic Wire Connector	Qty: 3PCS

TOOLS NEEDED (Not Included):

1 Screwdriver

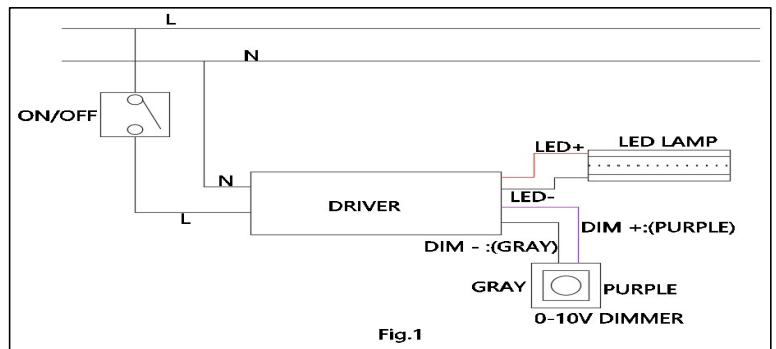
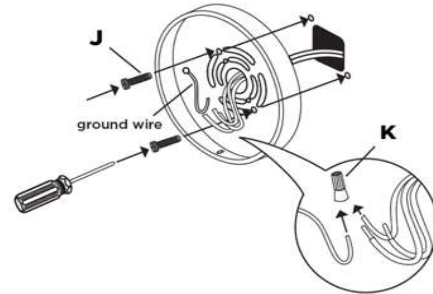
These instructions are provided for safety. It is very important that they are read carefully and completely before beginning installation.

We strongly suggest that all hard-wired fixtures must be installed by a professional electrician.



TO ASSEMBLE:

1. Shut off the main electrical supply from the main fuse box/circuit breaker.
2. Carefully unpack all fixture parts and hardware and lay them on a soft surface for assembly.
3. Gently pull wiring down from junction box and allow to hang.
4. Remove mounting plate(A) from the Lamp Body(B) by loosening the finial (E).
5. Place the mounting plate(A) over the center of the junction box.
6. Align the holes in the mounting plate (A) with the holes in the junction box and secure it with two mounting screws (J). Secure the screws using a Phillips head screwdriver.
7. Connect ground wire from wall to ground wire from lamp using wire caps (K).
8. Attach house wire to lamp wires as shown. Fasten the pairs together with a wire cap DO NOT REVERSE THE HOT AND NEUTRAL CONNECTIONS OR SAFETY WILL BE COMPROMISED.
9. PLEASE PAY SPECIAL ATTENTION TO THE FACT THAT YOU DO NOT NEED TO CONNECT THE WIRE TO THE DEVICE (M). IT IS USED FOR WIRE CONNECTIONS IN THE EUROPEAN MARKET.
10. Finally, please note that this product is suitable for 0-10V dimmer switches. Connect the purple wire (+) and the gray wire (-) to the dimmer switch as shown in Figure 1. Ensure that no strands are exposed. BE SURE NO STRANDS ARE EXPOSED.
11. Gently tuck the wire connections(K) neatly into the junction box.
12. Attach the lamp body (B) onto the mounting plate (A) and secure it with 2 finials (E).
13. Put the alabaster shade (F) in the brass frame (D). Attach the brass frame (D) to the lamp body (B) using 2 set screws (C), and tighten them with a screwdriver.
14. Restore power to junction box and test fixture.



CARE INSTRUCTIONS:

Wipe with a soft, dry cloth. To protect finish, avoid the use of chemicals and household cleaners.