

ASSEMBLY INSTRUCTIONS

ITEM DESCRIPTION:

ITEM NO.: DW C82

NAME: JENESSA SCONCE

MATERIAL TYPE: METAL

FINISH: ANTIQUE BRASS

SOCKET TYPE: LED

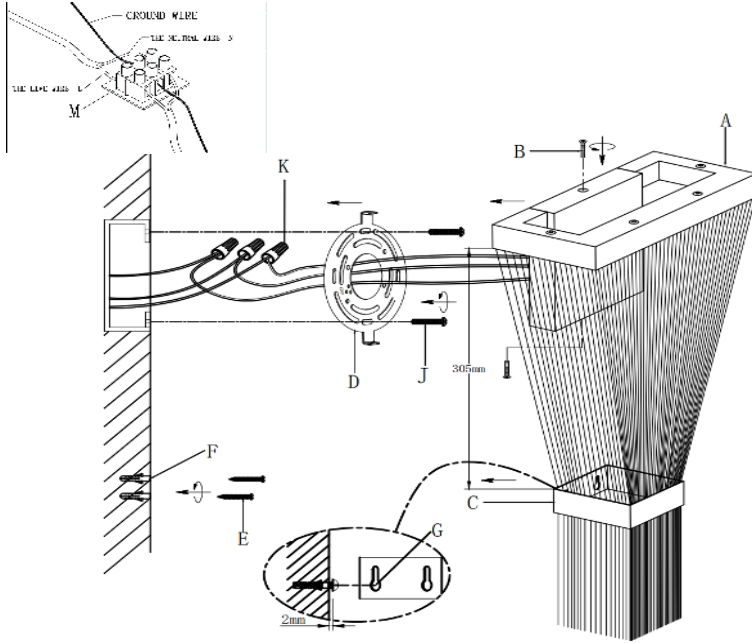
SOCKET QTY: 1

BULB WATTAGE: 6W/2700K/90+CRI

VOLTAGE: 100V-130V

ITEM NET WEIGHT: 2.50LBS

PLEASE IGNORE THIS DEVICE IN THE LAMP BASE



PARTS INCLUDED:

Lamp Base (A)	Qty: 1 Pc
Canopy Screw (B)	Qty: 2 Pcs
Bracket (C)	Qty: 1 Pc
Mounting Plate (D)	Qty: 1 Pc
Bracket Hole (H)	Qty: 2 Pcs

HARDWARE INCLUDED:

Mounting Screws (J)	Qty: 2 Pcs
Plastic Wire Cap (K)	Qty: 3 Pcs
Plastic anchor (F)	Qty: 2 Pcs
Strengthen screw (E)	Qty: 2 Pcs

TOOLS NEEDED (Not Included):

1 Screwdriver

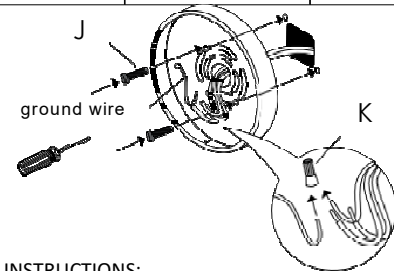
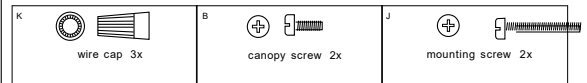
These instructions are provided for safety. It is very important that they are read carefully and completely before beginning installation.

We strongly suggest that all hard-wired fixtures must be installed by a professional electrician.



TO ASSEMBLE:

1. Shut off the main electrical supply from the main fuse box/circuit breaker.
2. Attach mounting plate(D) to wall or junction box using mounting screws (J).
3. Connect ground wire from wall to ground wire from lamp using the wire caps (K).
4. Attach house wire to lamp wires as shown. Fasten the pairs together with a wire caps(K) . DO NOT REVERSE THE HOT AND NEUTRAL CONNECTIONS OR SAFETY WILL BE COMPROMISED.
5. PLEASE PAY SPECIAL ATTENTION THAT YOU DO NOT NEED TO CONNECT THE TERMINAL BLOCK (M) IN THE LAMP BASE. IT IS USED FOR THE WIRE CONNECTION FOR EURO-MARKET.
6. Attach lamp base(A) to mounting plate (D) by inserting canopy screws (B) through predrilled holes. Then tighten by using screwdriver
7. Place the bracket (C) against the wall at the desired mounting location. Mark the location of the mounting holes on the wall using a pencil. The ideal position like the assembly drawing to shown is 305mm.
8. Drill 2 holes in wall in line according to the marks, Insert plastic anchors(F) into drilled holes. Use a philips screwdriver to make the strengthen screw(E) into plastic ancho till tight.
9. Hang the bracket(C) on the strengthen screw(E). Make sure the bracket is properly secured.
10. Put the fringe to through the bracket(C)
11. Restore power to junction box and test fixture.



CARE INSTRUCTIONS:

Wipe with a soft, dry cloth. To protect finish, avoid the use of chemicals and household cleaners.

For customer service questions call 1-800-338-2150

ARTERIOS