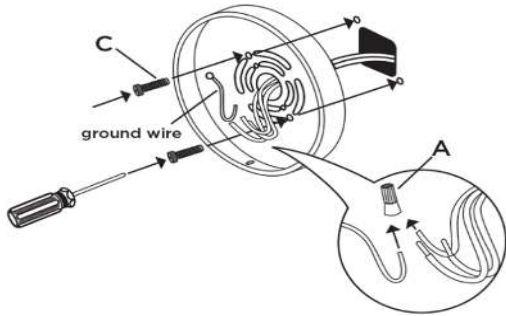


# ASSEMBLY INSTRUCTIONS

## ITEM DESCRIPTION:

ITEM NO.: DWI11	NAME: Aldridge Sconce
MATERIAL TYPE: Iron	FINISH: Blackend Iron
SOCKET TYPE: E12 TYPE B	SOCKET QTY: 02
BULB WATTAGE: 25 W/7W CFL/5W LED	
VOLTAGE: 110-120V	ITEM NET WEIGHT: 13LBS



## PARTS INCLUDED:

Mounting Plate	Qty: 1	Qty:
Back Plate	Qty: 1	Qty:
Metal Ring	Qty: 1	Qty:
Metal Shade	Qty: 1	Qty:

## HARDWARE INCLUDED:

Mounting Screws	Qty: 02
Plastic Wire Connector	Qty: 02
Canopy Screw	Qty: 01

## TOOLS NEEDED (Not Included):

1 Screwdriver

These instructions are provided for safety. It is very important that they are read carefully and completely before beginning installation.

We strongly suggest that all hard-wired fixtures must be installed by a professional electrician.



## TO ASSEMBLE:

1. Shut off the main electrical supply from the main fuse box/circuit breaker.
2. Attach mounting plate to wall or junction box using mounting screws (C).
3. Connect ground wire from wall to ground wire from lamp using wire caps (A).
4. Attach house wire to lamp wires as shown. Fasten the pairs together with a wire caps. **DO NOT REVERSE THE HOT AND NEUTRAL CONNECTIONS OR SAFETY WILL BE COMPROMISED.**
5. Place Main Frame on the groove given on the top of Mounting Plate and fix by tightening the canopy screw (B) in the predrilled hole at the bottom.
6. Fix the Iron Shade on the Socket by tightening with the Metal Shade Ring
7. Insert (1) **TYPE B 25W BULB / 7W SBCFL / 5 W SBLED** (not included) into the socket. **DO NOT EXCEED SPECIFIED WATTAGE**
8. Restore power to junction box and test fixture.

## CARE INSTRUCTIONS:

Wipe with a soft, dry cloth. To protect finish, avoid the use of chemicals and

For customer service questions call 1-800-338-2150

ARTERIO RS