

ASSEMBLY INSTRUCTIONS

ITEM DESCRIPTION:

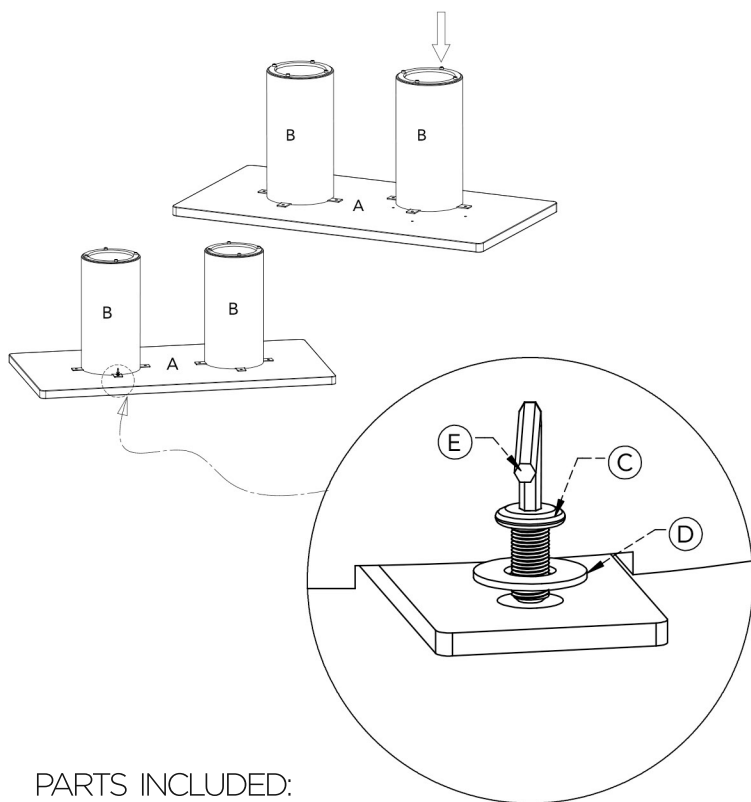
ITEM NO: FDS15

NAME: GEMINI OUTDOOR ININGTABLE




MATERIAL TYPE: True Concrete

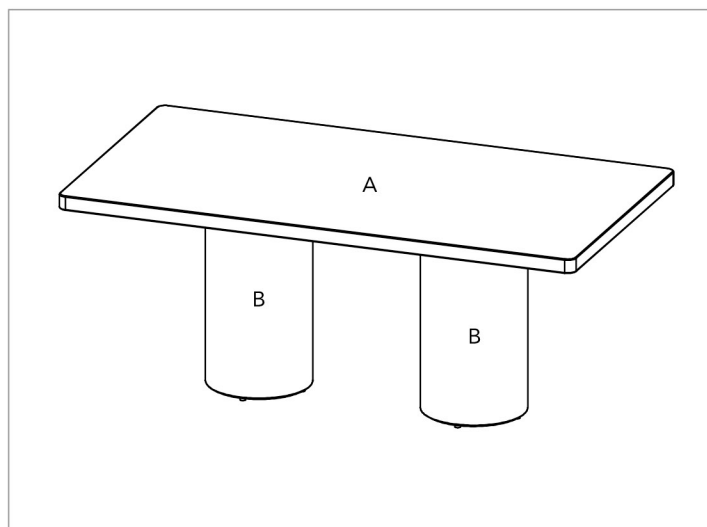
FINISH: MATTE CARBON

ITEM NET WEIGHT: 320lbs



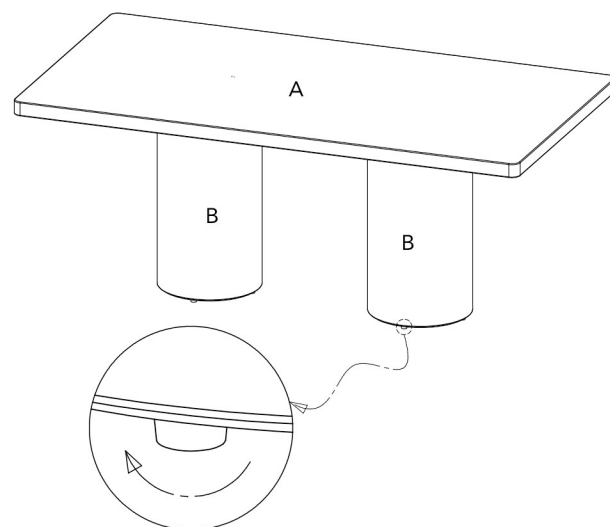
PARTS INCLUDED:

1	TOP	A		QTY:	1Pc
2	BASE	B		QTY:	2Pcs
3	Bolt M8x20	C		QTY:	8Pcs
4	Washer M8	D		QTY:	8Pcs
5	Allen key	E		QTY:	1Pc



TO ASSEMBLE

1. Put the top on a rug or similar to help product surface from scratching and put the base on the top, after checking all bolts and make sure they are even please tighten bolt fully and assemble
2. Completed assembly, adjust leveler for the flat table top



CARE INSTRUCTIONS:

Wipe with a soft, dry cloth. To protect finish, avoid the use of chemicals and household cleaners.