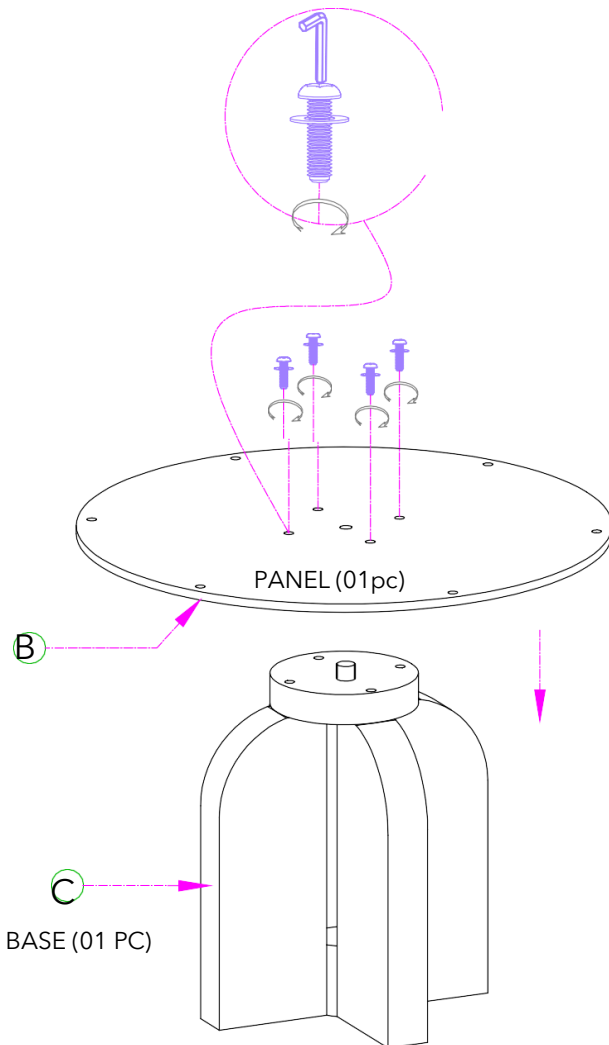


ASSEMBLY INSTRUCTIONS

ITEM DESCRIPTION:

ITEM NO.: FDS24	NAME: Orba Outdoor Dining Table
MATERIAL TYPE: Resin, Teak Veneer	FINISH: Grey Weather, Ivory Concrete
ITEM NET WEIGHT: 384 (Lbs.)	



PARTS INCLUDED:

Top (A)	Qty: 1 Pc
Panel (B)	Qty: 1 Pc
Base (C)	Qty: 1 Pc
Allen key (D)	Qty: 1 Pc
Black Washer Ø19x2 (E)	Qty: 10 Pcs
Hexagon bolt M8*35 (F)	Qty: 10 Pcs

For customer service questions call 1-800-338-2150



TO ASSEMBLE:

1. This item has two feet which need to be attached using the hardware and tools provided.
2. The feet have been marked A and B. The corresponding locations for these feet are also marked A and B on the bottom of the Frame. Match the direction of the letters on
3. Place screw through base into rod and tighten with Allen wrench.
4. While fixing the feet do not tighten the Allen screws completely right away. Leave the screws little loose and move the feet to ensure that they settle correctly in the slot for the frame. Gradually tighten both feet ensuring that they are correctly mounted.
5. Stand the screen upright to check that it stands vertical. If required press down gently to achieve proper alignment. You may have to loosen screws on feet to ensure proper fitting if the frame does not stand upright.
6. Tighten the screws completely to finish the

CARE INSTRUCTIONS:

Wipe with a soft, dry cloth. To protect finish, avoid the use of chemicals and household

ARTERIOORS

ASSEMBLY INSTRUCTIONS

ITEM DESCRIPTION:

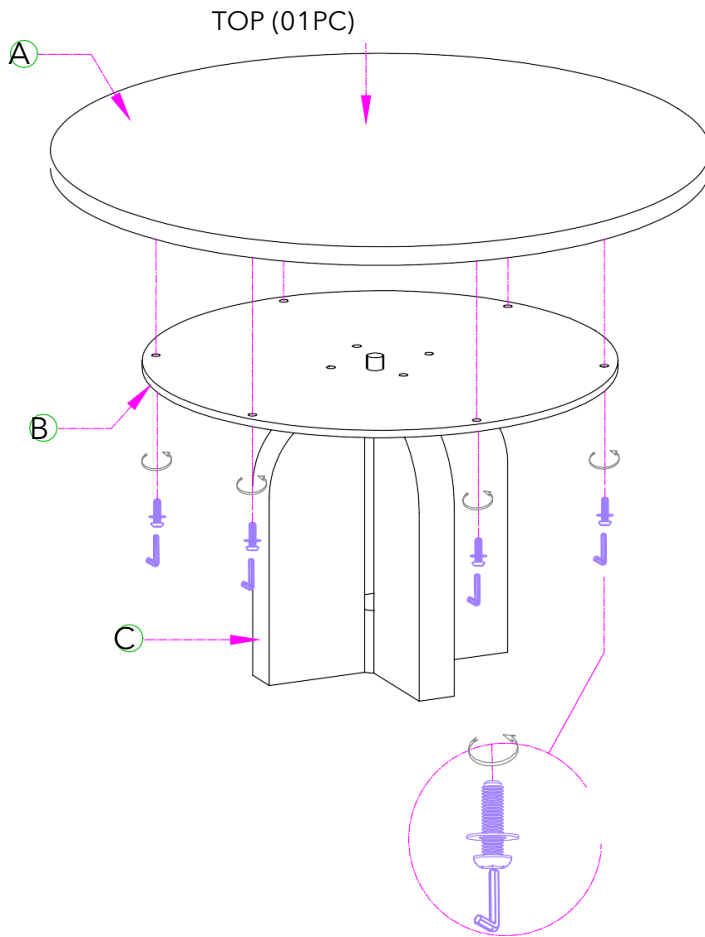
ITEM NO.: FDS24

NAME: Orba Outdoor Dining Table

MATERIAL TYPE: Resin, Teak Veneer

FINISH: Grey Weather, Ivory Concrete

ITEM NET WEIGHT: 174 (Kgs)



TO ASSEMBLE:

1. This Item has two feet which need to be attached using the hardware and tools
2. The feet have been marked A and B. The corresponding locations for these feet are also marked A and B on the bottom of the Frame. Match the direction of the letters on the frame and feet.
3. Place screw through base into rod and tighten with Allen wrench.
4. While fixing the feet do not tighten the Allen screws completely right away. Leave the screws little loose and move the feet to ensure that they settle correctly in the slot for the frame. Gradually tighten both feet ensuring that they are correctly mounted.
5. Stand the screen upright to check that it stands vertical. If required press down gently to achieve proper alignment. You may have to loosen screws on feet to ensure proper fitting if the frame does not stand upright.
6. Tighten the screws completely to finish the assembly.

PARTS INCLUDED:

Top (A)	Qty: 1 Pc
Panel (B)	Qty: 1 Pc
Base (C)	Qty: 1 Pc
Allen key (D)	Qty: 1 Pc
Black Washer Ø19x2 (E)	Qty: 10 Pcs
Hexagon bolt M8*35 (F)	Qty: 10 Pcs

CARE INSTRUCTIONS:

Wipe with a soft, dry cloth. To protect finish, avoid the use of chemicals and household

For customer service questions call 1-800-338-2150

ARTERIO RS