

ASSEMBLY INSTRUCTIONS

ITEM DESCRIPTION:

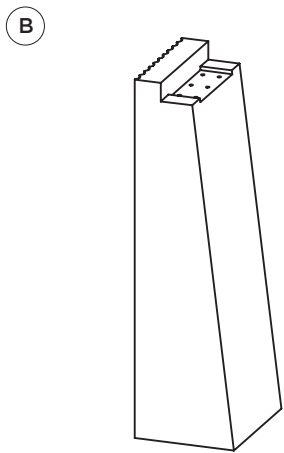
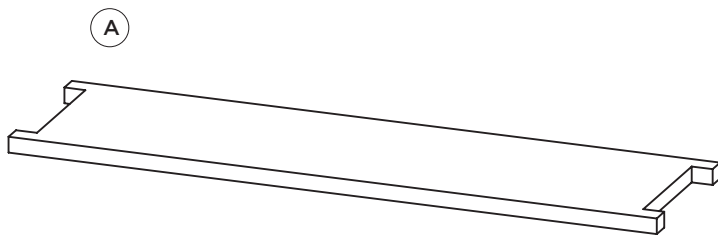
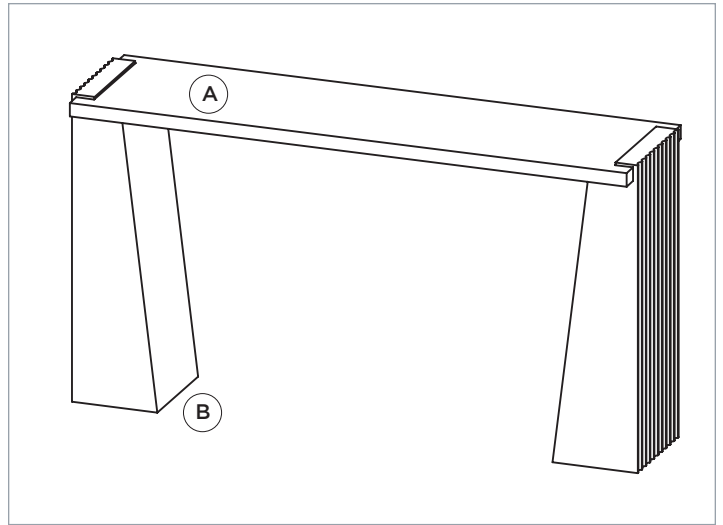
ITEM NO: FLS13

NAME: ANTONINE CONSOLE





MATERIAL TYPE: Table by Fibercement / Base by Fibercement

FINISH: WHITE MARBLE HYDROPRINT

ITEM NET WEIGHT : 207.23 lbs



PARTS INCLUDED:

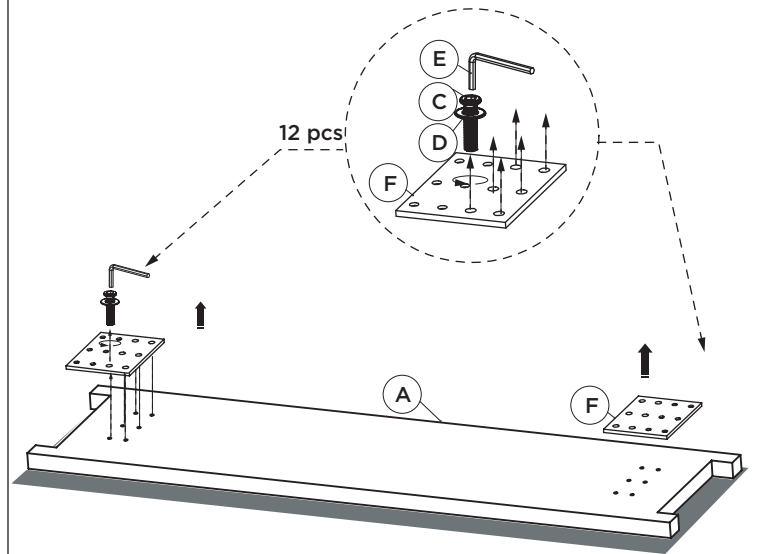
1	TOP	A		QTY: 1 Pc
2	BASE	B		QTY: 2 Pcs
3	Bolt M8x 25	C		QTY: 24Pcs
4	Washer M8	D		QTY: 12Pcs
5	Allen Key	E		QTY: 1 Pc
6	Support plate	F		QTY: 2 Pcs

TO ASSEMBLE

1. Place the tabletop (A) on a soft mat with the underside facing up.

Use the key (E) to loosen the bolt (C)-Washer D and remove the support plate (F) from the tabletop.

Lorem ipsum



ASSEMBLY INSTRUCTIONS

ITEM DESCRIPTION:

ITEM NO: FLS13

NAME: ANTONINE CONSOLE

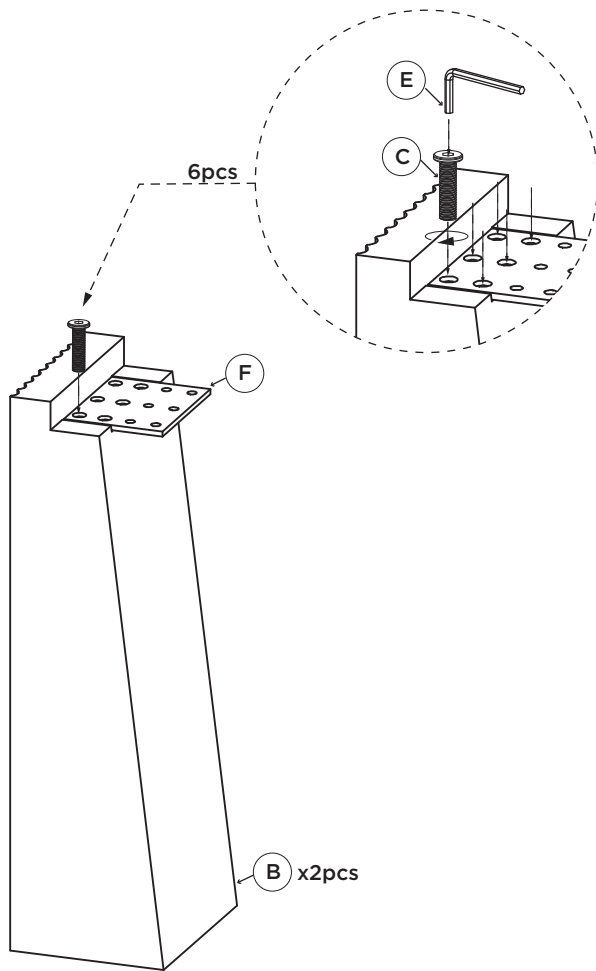
MATERIAL TYPE: Table by Fibercement / Base by Fibercement

FINISH: WHITE MARBLE HYDROPRINT

ITEM NET WEIGHT : 207.23 lbs

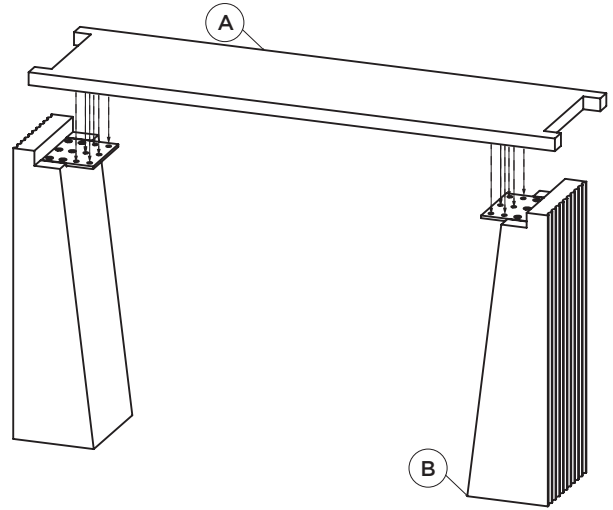
TO ASSEMBLE

2. Place the support plate (F) onto the screw holes on the base (B), Use the key (E) to tighten the bolts (C) at the screw hole positions on both the the support plate and base.

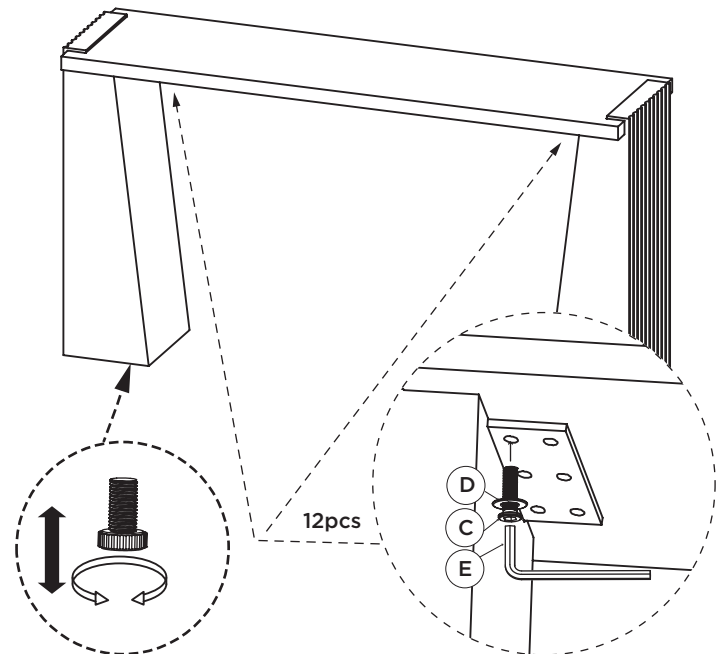


TO ASSEMBLE

3. Position the Top (A) onto the Base (B) and align them with the screw holes.



4. Use set bolt (C), washer (D) and key (E) to tighten all bolt points. Check all 12 bolt positions and ensure that all 12 bolts (C) are correctly installed into the 12 threaded inserts on the tabletop. Check and adjust the leg levelers to ensure the console sits level on the floor.



CARE INSTRUCTIONS:

Wipe with a soft, dry cloth. To protect finish, avoid the use of chemicals and household cleaners.