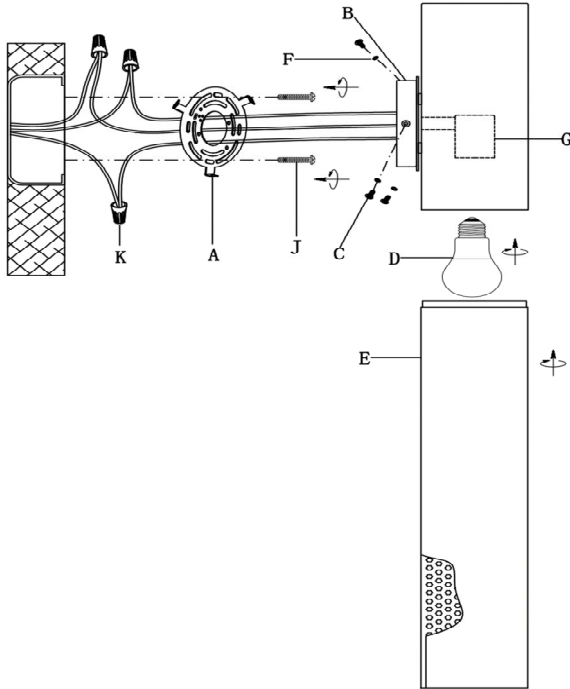


ASSEMBLY INSTRUCTIONS

ITEM DESCRIPTION:

ITEM NO.:GADWC13	NAME:PUNCH SMALL OUTDOOR SCONCE
MATERIAL TYPE: METAL	FINISH: MARINE GRADE MATTE BLACK
SOCKET TYPE:E26	SOCKET QTY:1
BULB WATTAGE: 60W /13W CFL /8W LED	
VOLTAGE:110V-120V	ITEM NET WEIGHT:5.9LBS



PARTS INCLUDED:

Mounting Plate (A)	Qty:1Pc	Metal Shade (E)	Qty:1Pc
Back Plate (B)	Qty:1Pc	Rubber Washer (F)	Qty: 3Pcs
Back Plate Screw (C)	Qty:3Pcs	Socket Assembly (G)	Qty: 1Pc

HARDWARE INCLUDED:

Mounting Screws (J)	Qty: 2Pcs
Plastic Wire Cap (K)	Qty: 3Pcs

TOOLS NEEDED (Not Included):

1 Screwdriver

These instructions are provided for safety. It is very important that they are read carefully and completely before beginning installation.

We strongly suggest that all hard-wired fixtures must be installed by a professional electrician.

For customer service questions call 1-800-338-2150



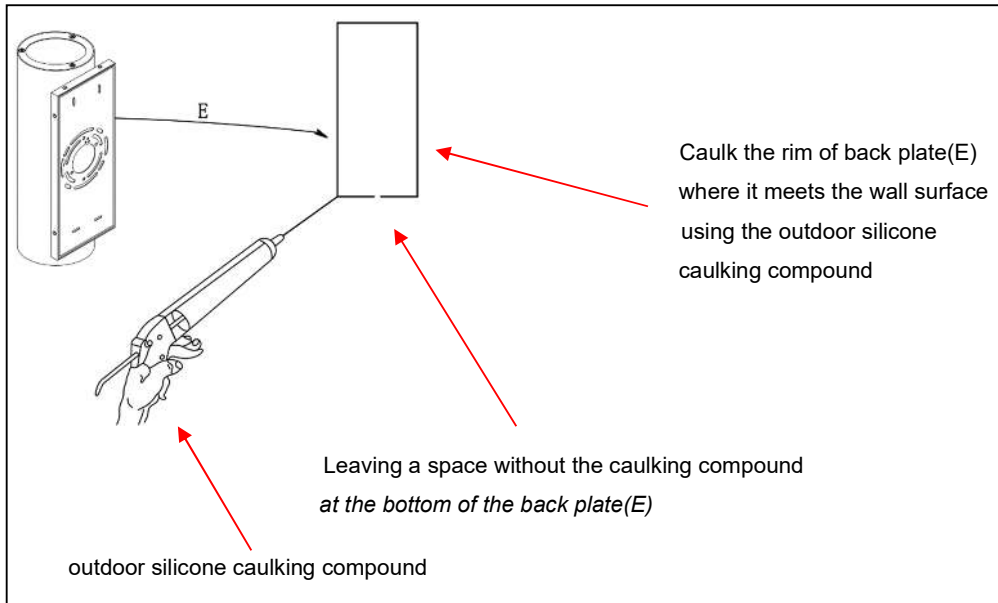
TO ASSEMBLE:

1. Shut off the main electrical supply from the main fuse box/circuit breaker.
2. Carefully unpack all fixture parts and hardware and lay them on a soft surface for assembly.
3. Attach mounting plate(A) to wall or junction box by using the mounting screws (J).
4. Connect ground wire from wall to ground wire from lamp by using wire caps (K).
5. Attach house wire to lamp wires as shown. Fasten the pairs together with a wire caps(K) DO NOT REVERSE THE HOT AND NEUTRAL CONNECTIONS OR SAFETY WILL BE COMPROMISED.
6. Attach back plate (B) to mounting plate (A) by using the enclosed back plate screw(C) and rubber washer(F) .Tighten screws with screwdriver.Please be sure the rubber washer(F) is on top threading of the plate screws(C).
7. Insert 1 TYPE-G 60W /13W CFL /8W LED bulb(not included) into the socket assembly (G).DO NOT EXCEED SPECIFIED WATTAGE OF SCONCE
8. Put and assemble the metal shade(E) by rotating in a clockwise direction with the socket assembly.
9. Use the outdoor silicone caulking compound to caulk completely along the rim of back plate(B) where it meets the wall surface,but leaving a space without the caulking compound at the bottom of back plate to allow the water to seep out if water entered into the J-Box by accident.See more details on extra page .
10. Restore power to junction box and test fixture.

CARE INSTRUCTIONS:

Wipe with a soft, dry cloth. To protect finish, avoid the use of

ARTERIO RS



To prevent the water from entering the J-box and causing a short circuit, use the outdoor silicone caulk compound to caulk completely along the rim of back plate (E) where it meets the wall surface, but leaving a space without the caulk compound at the bottom of back plate (E).

NOTE: Mounting surface should be clean, dry, flat, and a 1/4 inch larger than the back plate (E) on all sides.

OUTDOOR INSTALLATION

Use silicone caulk to seal fixture where the mounting plate meets the surface to prevent water from seeping in.