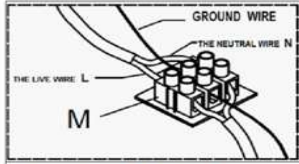


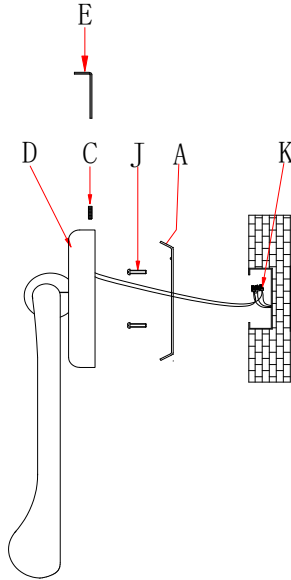
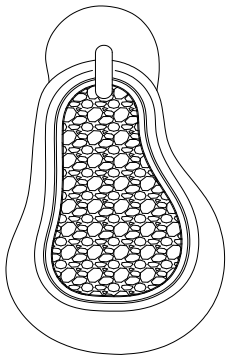
ASSEMBLY INSTRUCTIONS

ITEM DESCRIPTION:

ITEM NO.: GDDWC05	NAME: ELSA WALL SCONCE, RIGHT
MATERIAL TYPE: RESIN, ONYX	FINISH: GOLD LEAF, WHITE
SOCKET TYPE: : LED	SOCKET QTY: 1
BULB WATTAGE: 15W	
VOLTAGE: 100V-120V	ITEM NET WEIGHT: 7.5LBS



PLEASE IGNORE THIS DEVICE ON THE BACK PLATE.



PARTS INCLUDED:

Mounting Plate(A)	Qty: 1PC
Hex screw (C)	Qty: 1PC
Back Plate(D)	Qty: 1PC
Allen wrench (E)	Qty: 1PC
Mounting Screw(J)	Qty: 2PCS

HARDWARE INCLUDED:

Green Ground Screw	Qty: 1PC
Wire Cap(K)	Qty: 3PCS

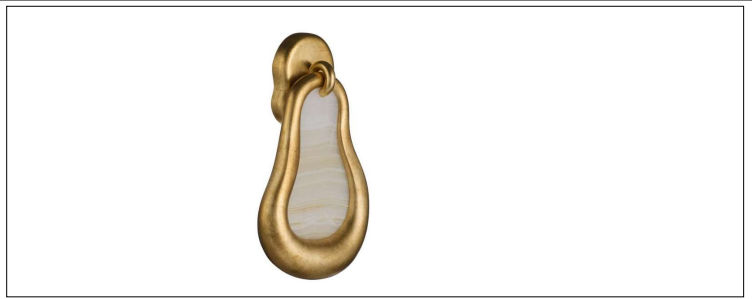
TOOLS NEEDED (Not Included):

1 Screwdriver

These instructions are provided for safety. It is very important that they are read carefully and completely before beginning installation.

We strongly suggest that all hard-wired fixtures must be installed by a professional electrician.

For customer service questions call 1-800-338-2150

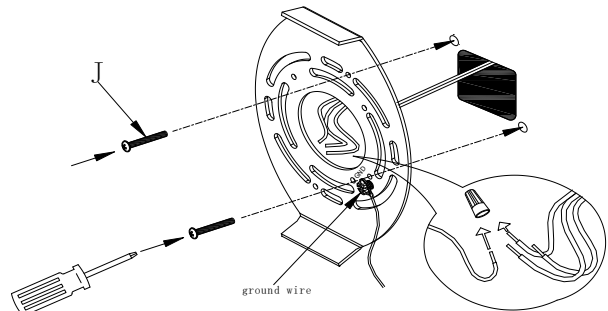
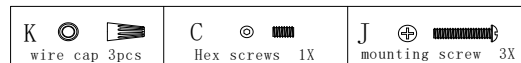


TO ASSEMBLE:

1. Shut off the main electrical supply from the main fuse box/circuit breaker.
 2. Carefully unpack all fixture parts and hardware and lay them on a soft surface for assembly.
 3. Remove the mounting plate(A) from the back plate(D) by loosening hex screw (C) using an Allen wrench (E).
 4. Place the mounting plate(A) over the center of the junction box.
 5. Align the holes in the mounting plate (A) with the holes in the junction box and secure it with two mounting screws (J). Secure the screws using a Phillips head screwdriver.
 6. Connect ground wire from wall to ground wire from lamp using wire caps (K).
 7. Attach house wire to lamp wires as shown. Fasten the pairs together with a wire caps.
- DO NOT REVERSE THE HOT AND NEUTRAL CONNECTIONS OR SAFETY WILL BE COMPROMISED.
8. PLEASE PAY SPECIAL ATTENTION THAT YOU DO NOT NEED TO CONNECT THE TERMINAL BLOCK(M). IT IS USED FOR THE WIRE CONNECTION FOR EURO-MARKET.
 9. Gently tuck the wire cap(K) neatly into the junction box.
 10. Attach the back plate(D) to the mounting plate (A) with the hex screw (C), and tighten with an Allen wrench (E).
 11. Restore power to junction box and test fixture.

Precaution: This product is suitable for TRIAC dimmer switch, switch model recommended:

LUTRON #DVLC-153P
LUTRON #DVELV-300P



CARE INSTRUCTIONS:

Wipe with a soft, dry cloth. To protect finish, avoid the use of chemicals and household cleaners.

ARTERIO RS

WARNING:

**INSTALL BEFORE RESTORING
POWER AT THE BREAKER**

LOW VOLTAGE LED DRIVER INSIDE.

**DO NOT APPLY POWER AT THE BREAKER
OR SWITCH UNTIL FIXTURE IS FULLY INSTALLED.
FAILURE TO FOLLOW INSTRUCTIONS MAY RESULT
IN MALFUNCTION AND WILL VOID WARRANTY.**