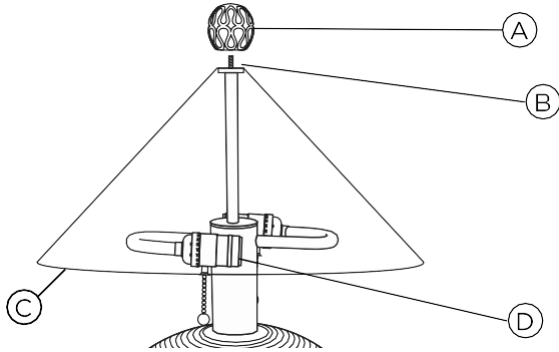


ASSEMBLY INSTRUCTIONS

ITEM DESCRIPTION:

ITEM NO: GDPT103	NAME: Scylla Table Lamp
MATERIAL TYPE: Glass	FINISH: Amber Luster
SOCKET TYPE: E26	SOCKET QTY: 02
BULB WATTAGE: 60W	
VOLTAGE: 250V	ITEM NET WEIGHT: 7.7 Lbs.



PARTS INCLUDED:

Finial (A)	Qty: 1	Qty:
RISER (B)	Qty: 1	Qty:
SHADE (C)	Qty: 1	Qty:
SOCKET (D)	Qty: 2	Qty:
BASE	Qty: 1	Qty:

PRE-ASSEMBLY:

- Remove all parts and hardware from box along with any plastic protecting packaging.
- Do not discard any contents until after assembly is complete to avoid accidentally discarding small parts or hardware.



TO ASSEMBLE:

- Insert the shade (C) into the riser head (B).
- After placing the shade (C) over the riser (B), making sure the top of the riser extends through the hole at the top of the shade. Attach the finial (A) and tighten by rotating in clockwise direction to secure the shade.
- Insert **2 TYPE A 60W BULB/16W SBCFL/13W SBLED** bulb (not included) into the socket (E).

***DO NOT EXCEED SPECIFIED WATTAGE.**

CARE INSTRUCTIONS:

- Clean with soft, dry cloth.
- Always avoid the use of harsh chemicals or abrasive cleaners

IMPORTANT SAFETY INSTRUCTIONS:

For safety purposes, this lamp is equipped with a polarized plug (one blade is wider than the other) (For North America Customers Only). If the plug does not fit securely into your outlet, do not force it – contact a professional electrician. Use the plug with an extension cord only if it can be fully inserted into the cord's socket. Never alter the plug in any way. This instruction is provided for your safety. It is important that it is read carefully and completely before assembling the fixture. To avoid risk of fire, do not exceed the recommended

WARNING:

- To reduce the risk of fire, electrical shock, or personal injury, always turn off and unplug lamp and allow it to cool prior to replacing the bulb.
- Do not touch bulb when fixture is turned on. Do not look directly at lit bulb.

For customer service questions call 1-800-338-2150

ARTERIO RS