

ASSEMBLY INSTRUCTIONS

ITEM DESCRIPTION:

ITEM NO.: PFI16

NAME: Hoffman Floor Lamp

MATERIAL TYPE: Mango Wood FINISH: Umber/Hammered Brass

SOCKET TYPE: E26

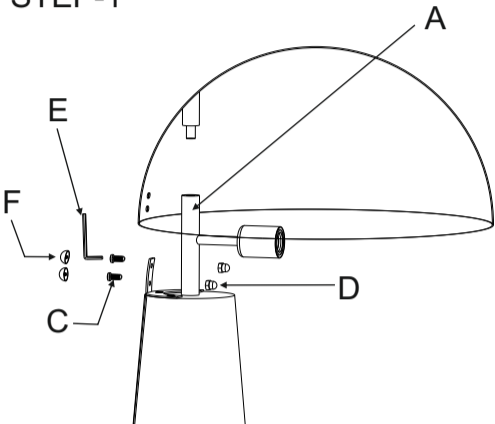
SOCKET QTY: 1

BULB WATTAGE: 60W Bulb / CFL 13W / LED 9W

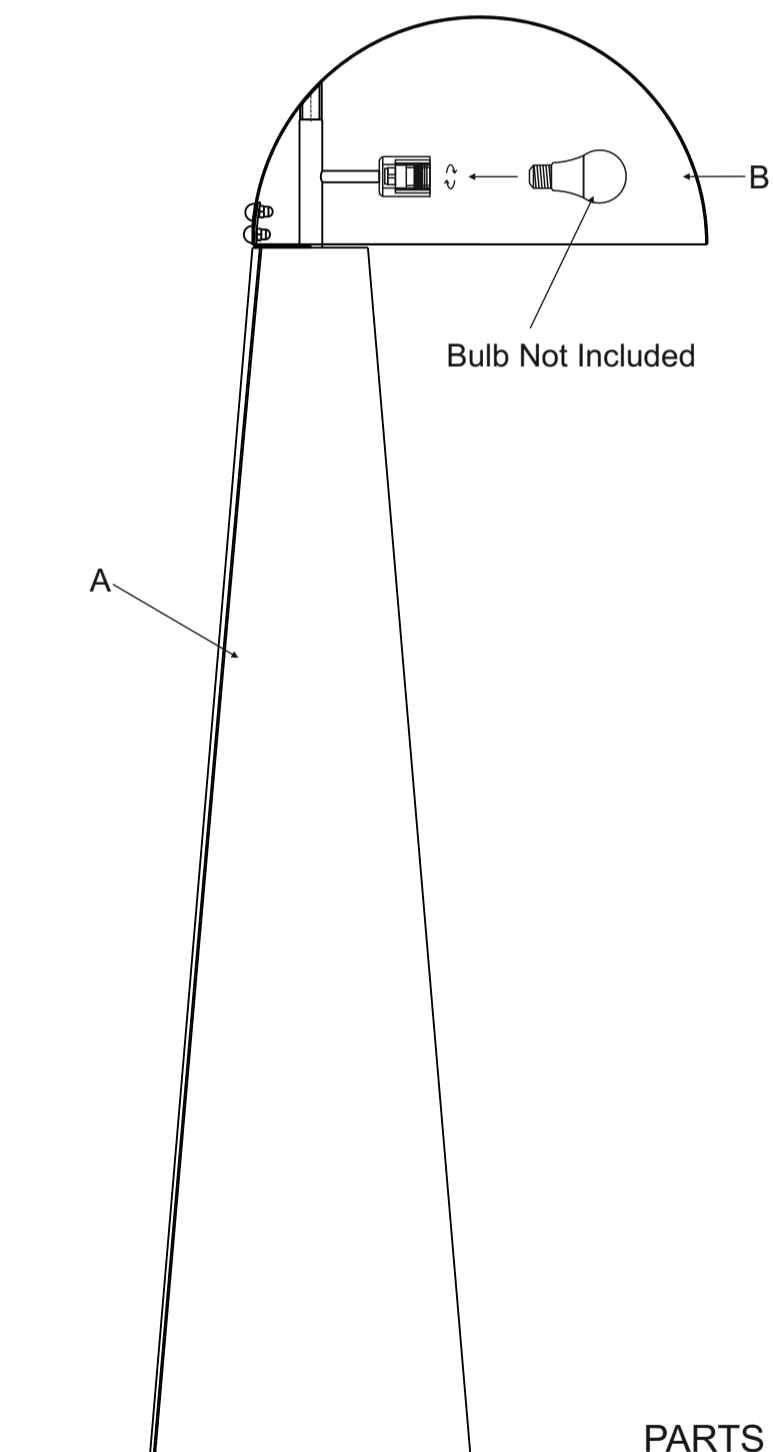
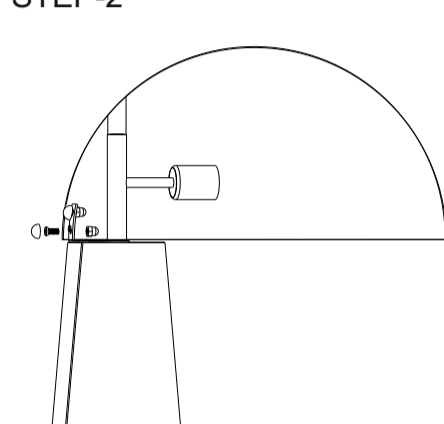
VOLTAGE: 110-120 V

ITEM NET WEIGHT: 77LBS

STEP-1



STEP-2



Assembled

PARTS INCLUDED

Fixture (A)	Qty: 1 Pc
Metal Shade (B)	Qty: 1 Pc
Allenkey Screw (C)	Qty: 2 Pc
Top Nut (D)	Qty: 2 Pc
Allenkey (E)	Qty: 1 Pc
Screw Cap (F)	Qty: 2 Pc

Note: Kindly check the hardware from time to time and tight it if found lose.

TO ASSEMBLE:

- Put the Metal Shade (B) onto the Center fixture (A). Align the top nut hole with the inner strip holes and secure the shade by tightening the Allen key Screw using with the provided (Hardware) Allen key.
- Ensure the shade is firmly fixed and properly aligned. Then thread the Cap Screw onto the top of the Allen key Screw and tighten it securely.
- Insert 1 Type A 60w / Bulb (or Suitable CFL 13W or LED 9W Bulb, Not Included).

CARE INSTRUCTIONS:

- Clean with soft, dry cloth.
- Always avoid the use of harsh chemicals or abrasive cleaners as they may cause damage to the lamp.

IMPORTANT SAFETY INSTRUCTIONS:

For safety purposes, this lamp is equipped with a polarized plug (one blade is wider than the other) (For North America Customers Only). If the plug does not fit securely into your outlet, do not force it – contact a professional electrician. Use the plug with an extension cord only if it can be fully inserted into the cord's socket. Never alter the plug in any way. This instruction is provided for your safety. It is important that it is read carefully and completely before assembling the fixture.

To avoid risk of fire, do not exceed the recommended wattage.

WARNING:

- To reduce the risk of fire, electrical shock, or personal injury, always turn off and unplug lamp and allow it to cool prior to replacing the bulb.
- Do not touch bulb when fixture is turned on. Do not look directly at lit bulb.
- Keep flammable materials away from lit bulb.

For customer service questions call 1-800-338-2150

ARTERIOS