

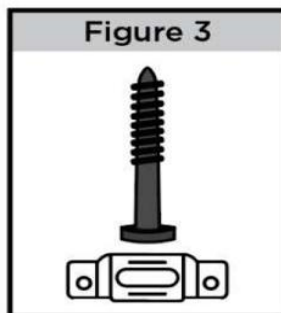
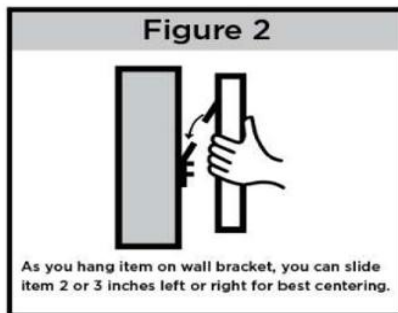
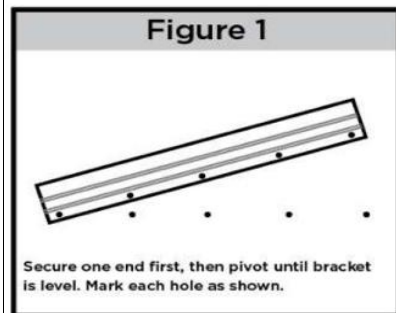
ASSEMBLY INSTRUCTIONS

ITEM DESCRIPTION:

ITEM NO.: WM1115

NAME: Nerone Mirror

MATERIAL TYPE: Hair-on-Hide Leather FINISH: Black



PARTS INCLUDED:

Mirror	Qty	1 pc
Security Cleat	Qty	1 pc
Drywall Anchors	Qty	8 pcs
Screws	Qty	7 pcs
T-SCREWS	Qty	1 pc
Drywall Anchors for T-Screw	Qty	1 pc

- Do not discard the packaging materials until assembly is complete.
- Stud mounting is recommended.
- Use proper hardware for your wall type, these instructions are for drywall. When in doubt, consult your local hardware store. For your safety, installation by two people is recommended.

TO ASSEMBLE:

1. Position mirror in desired location on wall.
2. Position security cleat in desired location and mark location of each dry wall anchor installation, as shown in Figure 1.
3. Remove security cleat from the wall.
4. Drill 5/16" pilot holes in wall. Position dry wall anchor over hole and gently tap anchor into wall until cap into wall until cap prongs are embedded in wall and cap is snug against surface. Turn screw clockwise pressing firmly to prevent anchor from rotating. Tighten screw until resistance is felt, this will fully expand the anchor. Turn screw counter clockwise to remove screw. Anchor will remain embedded in wall.
5. Place security cleat over anchors and insert; then tighten all screws.
6. Hang mirror on wall bracket, as shown in Figure 2.
7. Now, align Bottom T-Screw on wall with Bracket, as shown in Figure 3 and use wrench clockwise on T-Screw so that it locks mirror from moving forward.

CARE INSTRUCTIONS:

Wipe with a soft, dry cloth. To protect finish, avoid the use of chemicals and household cleaners.

For customer service questions call 1-800-338-2150

A R T E R I O R S