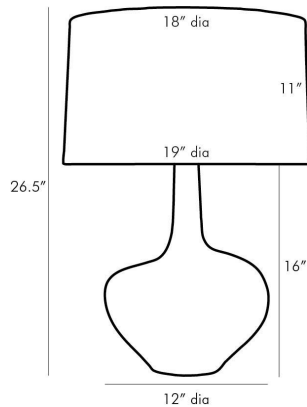


# ARTERIOS

## NASH TABLE LAMP



11049-690  
Tidal Reactive, Ceramic

Overtly organic the Nash presents a natural sophistication that instantly elevates a space. The ceramic base showcases a tidal reactive glaze that polishes and gently accentuates its asymmetrical shape. This visually lightweight luminescent works well to balance heavier decor trends in personal and professional settings. Topped with an ivory microfiber drum shade with off-white cotton lining and a 1" brass sphere finial. finish will vary.

### APPEARANCE

Materials	Ceramic, Microfiber, Cotton, Ceramic
Finishes	Tidal Reactive, Ivory, Off-White, Tidal Reactive
Finish Will Vary	Yes
Top Coat/Sealant	No

### DIMENSIONS

Overall	Dia: 19.0 in x H: 26.5 in
Foot Print	Dia: 5.0 in
Body	Dia: 12.0 in x H: 16 in
Shade Top	Dia: 18.0 in
Shade Side	H: 11 in
Shade Bottom	Dia: 19.0 in
Neck	Dia: 1.0 in x H: 1 in

### WIRING

Wire Rating	Indoor Only
Cord	8 FT, Clear/Silver, SPT-2
Socket	1, Type A- E26, 3-Way
Suggested Bulb Type	A19
Switch	At Socket, 3-Way Rotary
Maximum Wattage	150.0
Voltage	110-120 V

### CERTIFICATIONS & COMPLIANCY

Certifications	Mexico, United States, Canada
Compliance	UL/ETL

### SHIPPING

Product Weight	6.5 lbs
Gross Weight 1	12.0 lbs
Gross Weight 2	5 lbs
Shipping Box 1	W: 17.0 in x D: 16.0 in x H: 24.0 in
Shipping Box 2	W: 23.0 in x D: 23.0 in x H: 14.0 in

### CONTRACT

Contract Suitability	Contract Suitable As Is
Tilt Test Degrees	10 Degrees

### REPLACEMENT PARTS

81002