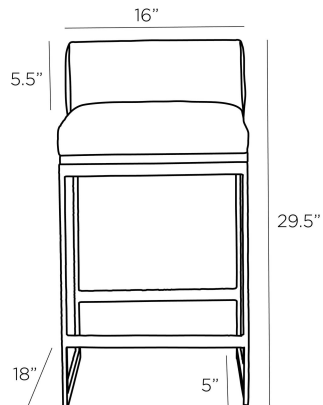


ARTERIOS

MARMONT COUNTER STOOL



2095
Ore, Leather

Textural, hammered blackened iron. Rich, elegant ore leather. Natural blonde wood. The trifecta of these materials comes together to form this distinctly modern bar stool. Its masculine air adds a stateliness to a space. Leather and finish will vary. Normal wear and tear marks will appear with use, regular leather conditioning will soften these marks and cracks.

APPEARANCE

Materials	Leather, Leather, Iron, Oak Wood
Finishes	Ore, Ore, Blackened Iron, Blonde
Finish Will Vary	Yes
Top Coat/Sealant	No

DIMENSIONS

Overall	W: 16 in x D: 18 in x H: 29.5 in
Foot Print	W: 16 in x D: 18 in
Seat Cushion Thickness	H: 3.5 in
Leg	H: 21 in
Seat Back	H: 5.5 in
Seat	W: 16 in x D: 13.5 in x H: 25 in
Diagonal Dimensions	W: 34.5 in

SHIPPING

Shipping Requirements	Truck Ship
Product Weight	32.0 lbs
Gross Weight 1	40.8 lbs
Shipping Box 1	W: 21.65 in x D: 20.5 in x H: 31.5 in

ADDITIONAL INFO

Fabric Certification	NFPA-260, TB117-2013
Fabric Composition	100% Leather
Fabric Cleaning Code	S - dry clean only
Reupholstery Requirements	18 Square Feet 1 Yard

CONTRACT

Contract Suitability	Contract Suitable As Is
Contract Textile Suitability	High Traffic/Public Spaces

SWATCHES

T43SW 4x4 Swatch: Ore Leather