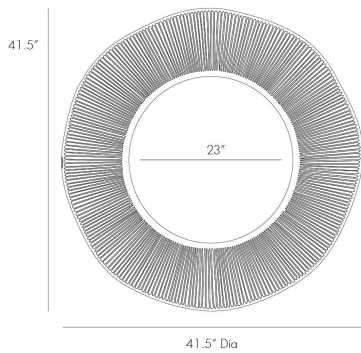


# ARTERIOS

## OLYMPIA MIRROR



2284  
Antique Brass, Iron

This softly shaped antique brass wire mirror has an elegant yet organic feel making it the perfect wall piece to hang over our Gunther Credenza (5359). The delicate undulating frame surrounds a beveled mirror. Features a security cleat attachment.

### APPEARANCE

Materials	Iron, Mirror
Finishes	Antique Brass, Plain
Finish Will Vary	No
Top Coat/Sealant	Yes

### DIMENSIONS

Overall	D: 3 in x Dia: 42.0 in
Actual Mirror	Dia: 23.0 in
Hanger Size	W: 12 in

### SHIPPING

Shipping Requirements	Truck Ship
Product Weight	26.5 lbs
Gross Weight 1	52.5 lbs
Shipping Box 1	W: 5.0 in x D: 48.0 in x H: 48.0 in

### ADDITIONAL INFO

Features	T-Screw Hardware Included
Hanger Position	Vertical Only
Hanger Size	W: 12 in

### CONTRACT

Contract Suitability	Contract Suitable As Is
----------------------	-------------------------