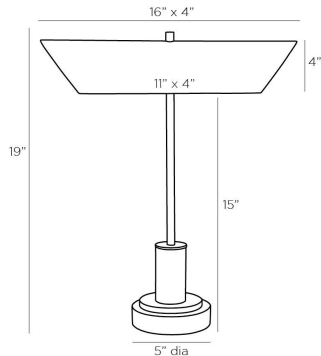


ARTERIOS

LANSING DESK LAMP



42039
Vintage Brass, Brass

The iconic style of the classic library lamp is beautifully translated in the design of the Lansing. The elongated vintage brass metal shade is perched atop a bronze finished aluminum post, with a white marble base for a dramatic transition of tones and textures. A juxtaposition of materials and shapes is revealed through the linear shade, circular base, and the reeding details found on the finial and body. This lamp features two sockets for increased surface illumination. Finish will vary.

APPEARANCE

| | |
|------------------|--|
| Materials | Brass, Brass, Marble, Aluminum, Brass |
| Finishes | Vintage Brass, Vintage Brass, White, Bronze, Vintage Brass |
| Finish Will Vary | Yes |
| Top Coat/Sealant | Yes |

DIMENSIONS

| | |
|--------------|-------------------------------|
| Overall | W: 16 in x D: 5 in x H: 19 in |
| Foot Print | Dia: 5 in |
| Base | Dia: 5 in x H: 1.5 in |
| Body | H: 15 in |
| Shade Top | W: 16 in x D: 4 in |
| Shade Side | H: 4 in |
| Shade Bottom | W: 11 in x D: 4 in |

WIRING

| | |
|---------------------|----------------------------|
| Wire Rating | Indoor Only |
| Cord | 10 FT, Clear/Silver, SPT-2 |
| Socket | 2, Type B - E12 |
| Suggested Bulb Type | T6 |
| Switch | On Line, On/Off Rotary |
| Maximum Wattage | 60.0 |
| Voltage | 110-120 V |

CERTIFICATIONS & COMPLIANCY

| | |
|----------------|---|
| Certifications | Middle East, European Union, United Kingdom, Australia, Mexico, United States, Canada |
| Compliance | RoHS, UL/ETL, CB |

SHIPPING

| | |
|----------------|-------------------------------------|
| Product Weight | 6.0 lbs |
| Gross Weight 1 | 12.0 lbs |
| Shipping Box 1 | W: 23.0 in x D: 9.0 in x H: 20.0 in |

CONTRACT

| | |
|----------------------|-------------------------|
| Contract Suitability | Contract Suitable As Is |
| Tilt Test Degrees | 10 Degrees |