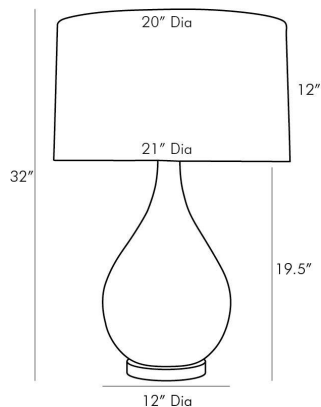


# ARTERIOS

## ROMY TABLE LAMP



44415-295

Satin Silvered Bronze, Glass

Mercury glass has been used for centuries to create traditional décor pieces. This table lamp features a satin silvered bronze finish that's matte and distressed to give it a handsome, aged look. The process naturally creates drip textures that make it even more spectacular—when switched on, it has a rainbow-like iridescent sheen. The base is crafted from gold-leaf finished wood. It is topped with a gray morn linen drum shade with white cotton lining. finish will vary.

### APPEARANCE

Materials	Glass, Steel, Linen, Cotton
Finishes	Satin Silvered Bronze, Gold Leaf, Gray Morn, White
Finish Will Vary	Yes
Top Coat/Sealant	Yes

### DIMENSIONS

Overall	Dia: 21.0 in x H: 32 in
Foot Print	Dia: 7.0 in
Body	Dia: 12.0 in x H: 19.5 in
Finial	Dia: 1 in x H: 1.5 in
Shade Top	Dia: 20.0 in
Shade Side	H: 12 in
Shade Bottom	Dia: 21.0 in
Harp Size	H: 9.5 in

### WIRING

Wire Rating	Indoor Only
Cord	10 FT, Clear/Silver, SPT-2
Socket	1, Type A- E26, 3-Way
Suggested Bulb Type	A19
Switch	At Socket, 3-Way Rotary
Maximum Wattage	150.0
Voltage	110-120 V

### CERTIFICATIONS & COMPLIANCY

Certifications	Middle East, European Union, United Kingdom, Australia, Mexico, United States, Canada
Compliance	RoHS, UL/ETL, CB

### SHIPPING

Product Weight	8.5 lbs
Gross Weight 1	13.0 lbs
Gross Weight 2	3.5 lbs
Shipping Box 1	W: 15.0 in x D: 15.0 in x H: 26.0 in
Shipping Box 2	W: 25.0 in x D: 25.0 in x H: 16.0 in

### CONTRACT

Contract Suitability	Contract Suitable As Is
Tilt Test Degrees	10 Degrees

### REPLACEMENT PARTS

81325