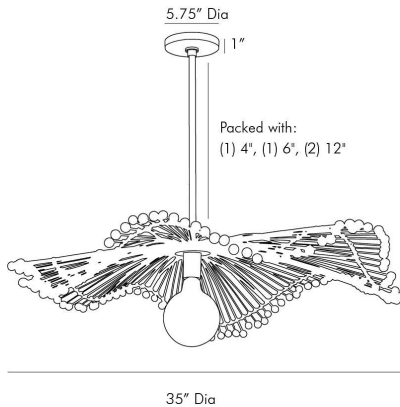


# ARTERIOS

## WAVERLY PENDANT



45046  
Natural, Rattan

Old world techniques are brought into play with this naturally unique pendant. An array of buri sticks bound with thin pieces of rattan flow from an antique brass steel stem into a wavy, parasol-esque shape. Wood beads trim the slightly askew foundation, emphasizing the overall design of the organic and eye-catching form. Due to the handmade nature, slight variances may occur. Certified for damp locations and intended for interior use. Additional pipe available (PIPE-504).

### APPEARANCE

Materials	Rattan, Steel, Rattan, Wood
Finishes	Natural, Antique Brass, Natural, Black
Finish Will Vary	Yes
Top Coat/Sealant	No

### DIMENSIONS

Overall	Dia: 35.0 in x H: 8.5 in
Canopy	Dia: 5.75 in x H: 1 in
Pendant	Dia: 35.0 in
Overall Hanging Height as Sold (in)	42.5 in - 8.5 in

### WIRING

Wire Rating	Damp
Cord	10 FT, Clear/Silver, SVT
Socket	1, Type A- E26 Other
Suggested Bulb Type	G40
Maximum Wattage	100.0
Voltage	110-120 V

### CERTIFICATIONS & COMPLIANCY

Certifications	Middle East, European Union, United Kingdom, Mexico, United States, Canada
Compliance	RoHS, UL/ETL, CB

### SHIPPING

Product Weight	5.0 lbs
Gross Weight 1	7.0 lbs
Gross Weight 2	10 lbs
Shipping Box 1	W: 39.0 in x D: 38.0 in x H: 9.0 in
Shipping Box 2	W: 10 in x D: 3 in x H: 3 in

### ADDITIONAL INFO

Features	Sustainable
----------	-------------

### CONTRACT

Contract Suitability	Contract Suitable As Is
----------------------	-------------------------

### SLOPE CEILING COMPATIBILITY

Sloped Ceiling Compatible	Yes, with purchase of pivot
---------------------------	-----------------------------

### COMPONENTS

Pipe or Chain Included	(1) 4", (1) 6", (2) 12" Pipes
------------------------	-------------------------------

### ADDITIONAL PARTS AVAILABLE

PIPE-504	(1) 4", (1) 6", (1) 12"
PIVOT-203	

### REPLACEMENT PARTS

CANOPY-654	
------------	--

