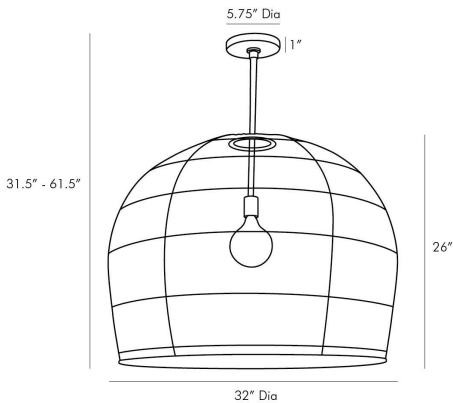


# ARTERIOS

## SWAMI LARGE PENDANT



45061  
Natural and Black Ombre, Buri  
Midrib

Makers utilize old world techniques to create this luxurious and modern piece. Made with hundreds of thin buri sticks, derived from a palm in the Asian tropics, the pendant is formed using traditional techniques practiced to make fishing baskets. Don't let the ancient construction techniques fool you, the bell shape, antique brass pipe kit and ombre finish add contemporary flair. Also comes in a smaller scale (45060). Additional pipe available (PIPE-504). Certified for damp locations and intended for interior use.

### APPEARANCE

Materials	Buri Midrib, Steel, Buri Midrib
Finishes	Natural and Black Ombre, Antique Brass, Natural and Black Ombre
Finish Will Vary	Yes
Top Coat/Sealant	Yes

### DIMENSIONS

Overall	Dia: 32.0 in x H: 31.5 in
Canopy	Dia: 5.75 in x H: 1 in
Pendant	Dia: 32.0 in x H: 26 in
Overall Hanging Height as Sold (in)	61.5 in - 31.5 in

### WIRING

Wire Rating	Damp
Cord	10 FT, Clear/Silver, SVT
Socket	1, Type A- E26 Other
Suggested Bulb Type	G40
Maximum Wattage	150.0
Voltage	110-120 V

### CERTIFICATIONS & COMPLIANCY

Certifications	Mexico, United States, Canada
Compliance	UL/ETL

### SHIPPING

Shipping Requirements	Truck Ship
Product Weight	15.5 lbs
Gross Weight 1	22.0 lbs
Gross Weight 2	10 lbs
Shipping Box 1	W: 30.0 in x D: 30.0 in x H: 36.0 in
Shipping Box 2	W: 12 in x D: 5 in x H: 5 in

### ADDITIONAL INFO

Features	Assembly Required, Sustainable
----------	--------------------------------

### CONTRACT

Contract Suitability	Contract Suitable As Is
----------------------	-------------------------

### SLOPE CEILING COMPATIBILITY

Sloped Ceiling Compatible	Yes, with purchase of pivot
---------------------------	-----------------------------

### COMPONENTS

Pipe or Chain Included	(1) 4", (1) 6", (2) 12" Pipes
------------------------	-------------------------------

### ADDITIONAL PARTS AVAILABLE

PIPE-504	(1) 4", (1) 6", (1) 12"
PIVOT-203	

### REPLACEMENT PARTS

CANOPY-654	
CANOPY-106	