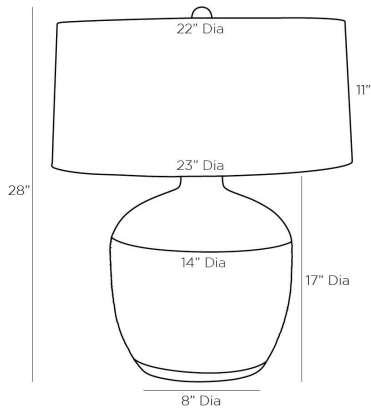


ARTERIOS

NAVI TABLE LAMP



45111-606
Rhino, Terracotta

The Navi finds inspiration from unearthed pottery of Mexico's past. With a modern twist, The large-scale construction is crafted from terracotta and features a rhino finish. Hand-etched details span the surface, veering in different directions, and deliver tons of texture. Topped with a tapered, off-white linen shade with off-white cotton lining and a matching terra cotta sphere finial. Finish will vary.

APPEARANCE

Materials	Terracotta, Terracotta, Steel, Linen, Cotton
Finishes	Rhino, Rhino, Antique Brass, Off-White, Off-White
Harp Finish	Brass
Finish Will Vary	Yes
Top Coat/Sealant	No

DIMENSIONS

Overall	Dia: 23.0 in x H: 28 in
Foot Print	Dia: 8.0 in
Body	Dia: 14.0 in x H: 17 in
Finial	Dia: 1.5 in x H: 1.5 in
Shade Top	Dia: 22.0 in
Shade Side	H: 11 in
Shade Bottom	Dia: 23.0 in
Harp Size	H: 9 in
Neck	Dia: 1.0 in x H: 1 in

WIRING

Wire Rating	Indoor Only
Cord	10 FT, Clear/Silver, SPT-2
Socket	1, Type A - E26
Suggested Bulb Type	A19
Switch	At Socket, On/Off Rotary
Maximum Wattage	150.0
Voltage	110-120 V

CERTIFICATIONS & COMPLIANCY

Certifications	Middle East, European Union, United Kingdom, Mexico, United States, Canada
Compliance	RoHS, UL/ETL, CB

SHIPPING

Product Weight	20.0 lbs
Gross Weight 1	21.0 lbs
Gross Weight 2	5.0 lbs
Shipping Box 1	W: 16.75 in x D: 16.75 in x H: 24.0 in
Shipping Box 2	W: 25.0 in x D: 25.0 in x H: 13.0 in

CONTRACT

Contract Suitability	Contract Suitable As Is
Tilt Test Degrees	10 Degrees

REPLACEMENT PARTS

45111FIN