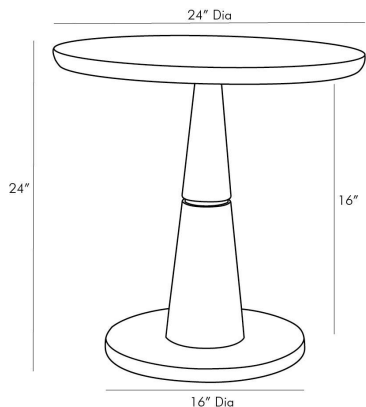


# ARTERIOS

## ROCHESTER END TABLE



4589  
Antique Gold, Aluminum

Split between two tones, this side table is a modern wonder. The lighter top is an antique gold, where the bottom section is done in a burnished gold, adding the immense level of sophistication and craftsmanship. The table top is crafted with a sandblasted texture and the top of the base is molded to a heavy woodgrain pattern, so texture and intrigue are immense throughout the piece.

### APPEARANCE

Materials	Aluminum, Aluminum
Finishes	Antique Gold, Burnished Gold
Finish Will Vary	Yes
Top Coat/Sealant	Yes

### DIMENSIONS

Overall	Dia: 24.0 in x H: 24 in
Foot Print	Dia: 16.0 in

### SHIPPING

Product Weight	26.5 lbs
Gross Weight 1	39.5 lbs
Shipping Box 1	W: 29.0 in x D: 29.0 in x H: 30.0 in

### CONTRACT

Contract Suitability	Contract Suitable With Conditions
Contract Conditions	For an additional fee, a clear, protective coating can be added
Tilt Test Degrees	12 Degrees