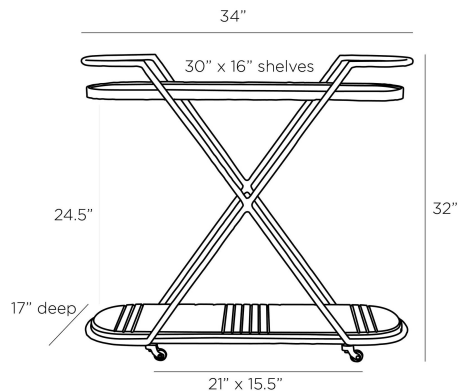


ARTERIOR S

NAKOA BAR CART



4650
Black, Marble

The Nakoa celebrates Art Deco design through rich texture and elegant form. A blackened iron foundation presents a minimalist profile with x-shaped legs that rest on an attached black marble base that doubles as a shelf. The marble features a chiseled deco pattern for a look that emphasizes the machine-age and sleek geometric aesthetic, further playing up its architectural inspiration. A clear glass top makes this bar cart functional, and the raised handles allow easy mobility. Marble will vary.

APPEARANCE

| | |
|------------------|-------------------------------------|
| Materials | Marble, Marble, Iron, Glass |
| Finishes | Black, Black, Blackened Iron, Clear |
| Finish Will Vary | Yes |
| Top Coat/Sealant | Yes |

DIMENSIONS

| | |
|---------------------|--------------------------------|
| Overall | W: 34 in x D: 17 in x H: 32 in |
| Foot Print | W: 21 in x D: 15.5 in |
| Shelf | W: 30 in x D: 16 in |
| Table Top | W: 30 in x D: 16 in |
| Diagonal Dimensions | W: 36.5 in |

SHIPPING

| | |
|-----------------------|--------------------------------------|
| Shipping Requirements | Special Handling Required |
| Product Weight | 84.88 lbs |
| Gross Weight 1 | 101.41 lbs |
| Shipping Box 1 | W: 19.0 in x D: 35.0 in x H: 36.5 in |

ADDITIONAL INFO

| | |
|----------------|--------------|
| Base/Foot Type | Caster Wheel |
|----------------|--------------|

CONTRACT

| | |
|----------------------|---|
| Contract Suitability | Contract Suitable With Conditions |
| Contract Conditions | Untempered glass, For an additional fee, a clear, protective coating can be added |

REPLACEMENT PARTS

4650GLS