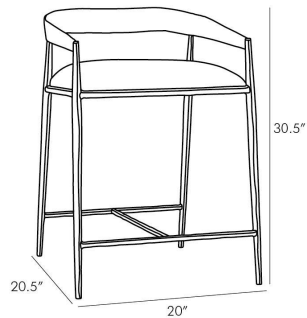


ARTERIOS

ANSEL COUNTER STOOL



4746
Sterling, Linen

Sharp angles and an unrefined curvature define the bold aesthetic of this stool. Natural iron has been hammered by hand to create the rich impressions seen along the shallow back while the hand-forged legs yield more delicate details. The tight seat is covered in sterling linen elegantly elevating its textured façade. Also available as a bar stool (4747).

APPEARANCE

Materials	Linen, Iron, Linen
Finishes	Sterling, Natural Iron, Sterling
Finish Will Vary	No
Top Coat/Sealant	No

DIMENSIONS

Overall	W: 20 in x D: 20.5 in x H: 30.5 in
Arm	H: 27 in
Seat Cushion Thickness	H: 3 in
Seat Back	H: 9.5 in
Seat	W: 19 in x D: 18 in x H: 25 in

SHIPPING

Shipping Requirements	Special Handling Required
Product Weight	42.5 lbs
Gross Weight 1	61.25 lbs
Shipping Box 1	W: 27.0 in x D: 24.0 in x H: 39.0 in

ADDITIONAL INFO

Fabric Certification	NFPA-260, TB117-2013
Fabric Composition	100% Polyester
Fabric Cleaning Code	P - clean with detergent & water
Fabric Wear Abrasion	15,000
Reupholstery Requirements	0.66 Yards

CONTRACT

Contract Suitability	Contract Suitable With Conditions
Contract Conditions	For an additional fee, a clear, protective coating can be added
Contract Textile Suitability	Low Traffic/Private Spaces

REPLACEMENT PARTS

BARBANAFEET

SWATCHES

L15SW 4x4 Swatch: Sterling Linen